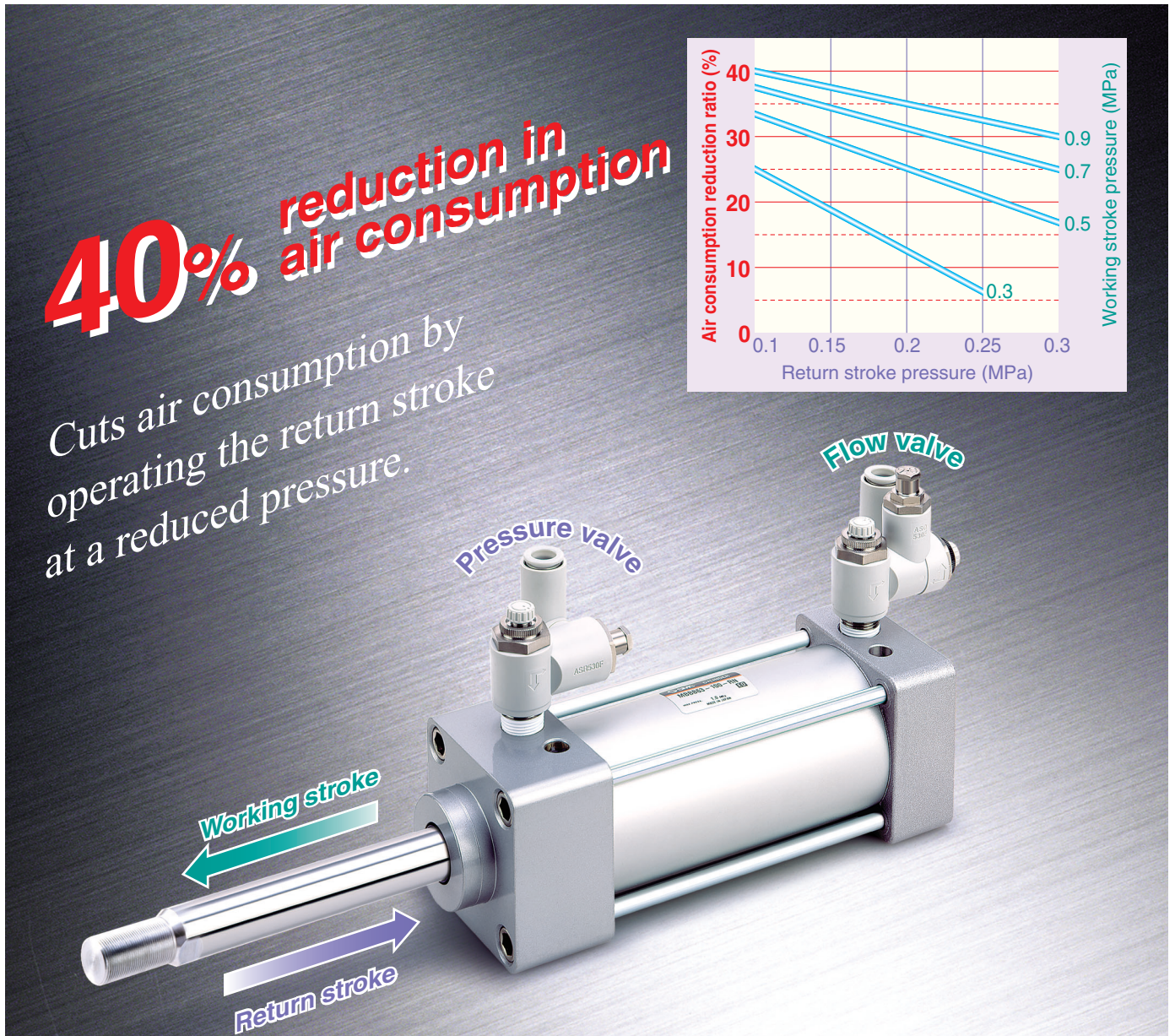
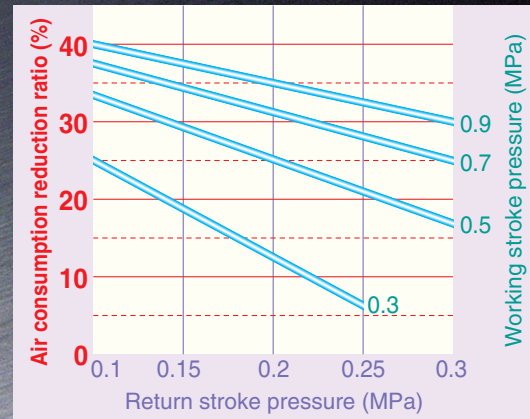


# Air Saving Valve

**40% reduction in air consumption**

Cuts air consumption by operating the return stroke at a reduced pressure.



Pressure valve

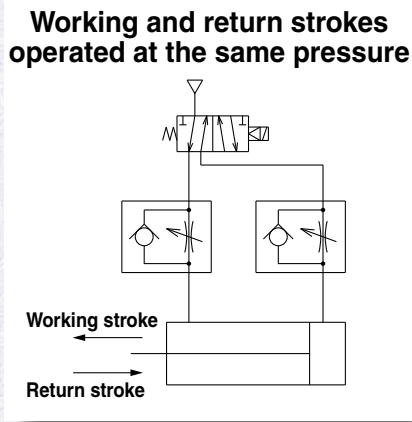


Flow valve

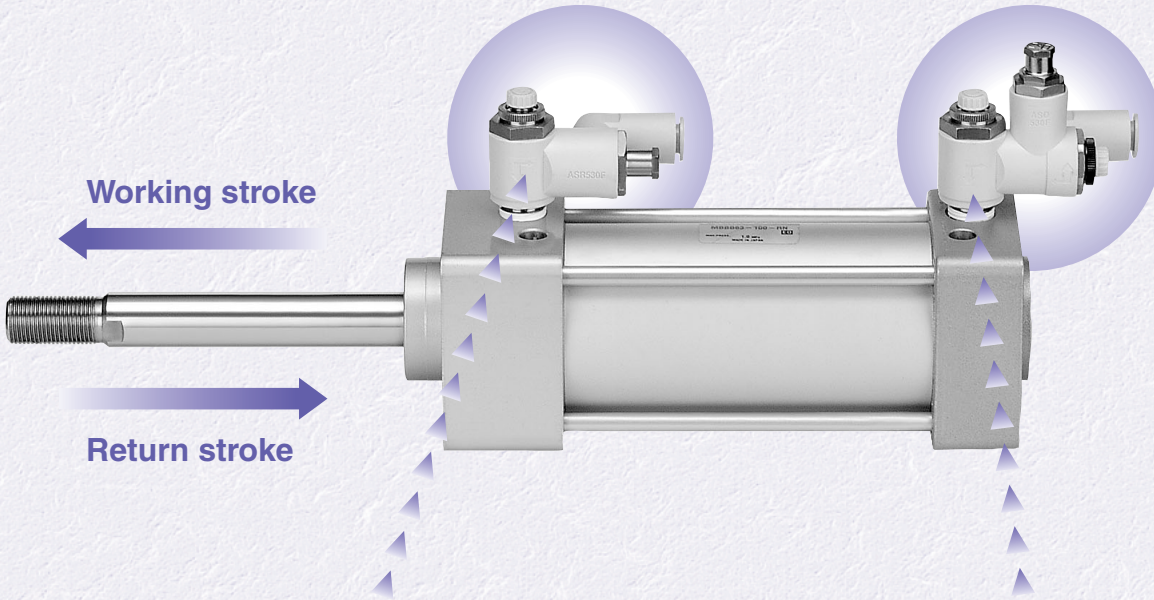
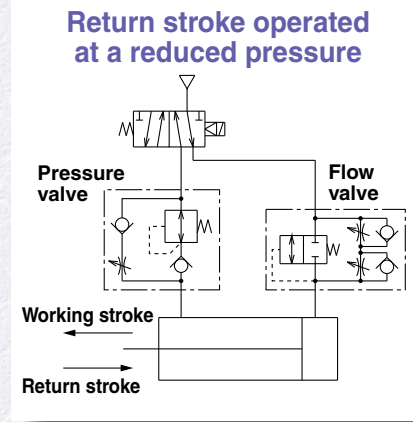
Pressure Valve      Flow Valve  
**Series ASR / Series ASQ**

# Cuts air consumption by operating the return stroke at a reduced pressure.

## Conventional valve



## Air saving valve



### Pressure valve

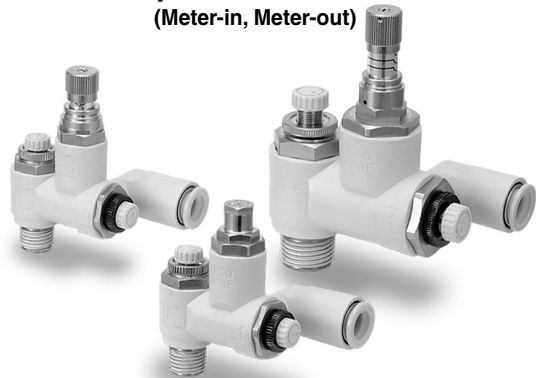
Regulator with check valve  
+  
Speed controller



Series **ASR**

### Flow valve

Quick supply and exhaust valve  
+  
Speed controller  
(Meter-in, Meter-out)



Series **ASQ**

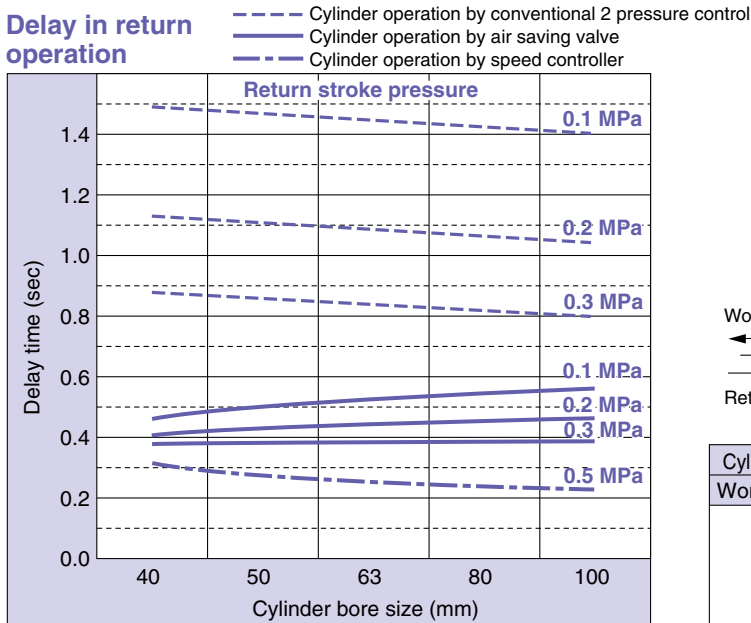
# Smooth operation of working and return strokes possible.

Consistent speed control achieved by preventing jerky movement of working strokes.

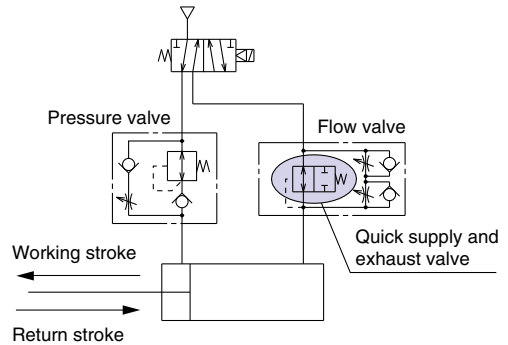
## Improved response time

Operation delay in a return stroke is reduced by the use of a quick supply and exhaust valve.

### Delay in return operation



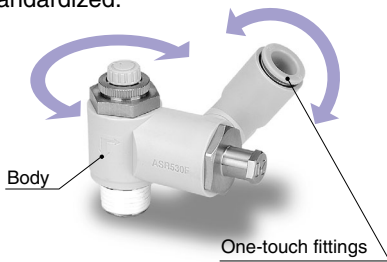
Cylinder speed: 200 mm/sec  
Cylinder stroke: 200 mm



Cylinder operating pressure (MPa)	Air consumption reduction ratio (%)	
	Working stroke	Return stroke
0.5		0.5
		0.3
		0.2
		0.1

## Easy piping

The body and one-touch fitting allow 360° rotation. The sealant on the male thread is standardized.



## The set pressure can be either fixed or variable.

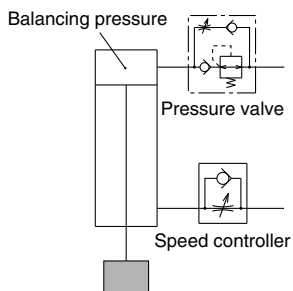
**Fixed set pressure type** (Fixed at 0.2 MPa)      **Variable set pressure type** (Variable between 0.1 and 0.3 MPa)      **Graduated knob**



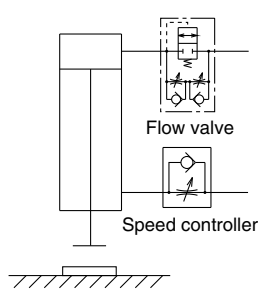
A knob cap is attached to the variable set pressure type.

## Other applications

**Jerk prevention in vertical operation of the cylinder**



**Quick air charge at the end of stroke for press applications**



### Variation

Model		Port size	Applicable tubing O.D. (mm)			
Pressure valve	Flow valve		6	8	10	12
ASR430F-02	ASQ430F-02	R1/4	●	●	●	
ASR530F-02	ASQ530F-02	R1/4	●	●	●	●
ASR530F-03	ASQ530F-03	R3/8	●	●	●	●
ASR630F-03	ASQ630F-03	R3/8			●	●
ASR630F-04	ASQ630F-04	R1/2			●	●

# Air Saving Valve

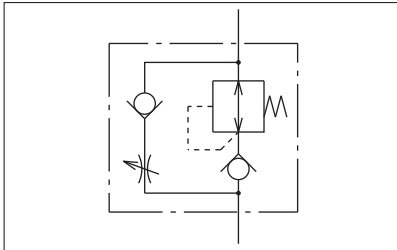
## Pressure Valve      Flow Valve

# Series ASR / Series ASQ

### Pressure valve / Series ASR



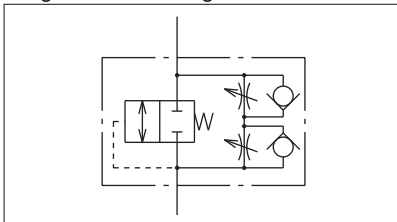
Regulator with check valve and flow control valve integrated into a single construction



### Flow valve / Series ASQ



Pilot valve and two-way flow control valve integrated into a single construction



### How to Order

**ASR 4 3 0 F - 02 - 06 S F20**

- Model**
  - ASR Pressure valve
  - ASQ Flow valve
- Body size**
  - 4 1/4 standard
  - 5 3/8 standard
  - 6 1/2 standard
- Type**
  - 3 Universal
- With One-touch fitting**
- With sealant**
- Option**
  - Variable set pressure type (0.1 to 0.3 MPa)
  - F20 Fixed set pressure type (0.2 MPa)
- Applicable tubing O.D. 1)**
  - 06 6 mm
  - 08 8 mm
  - 10 10 mm
  - 12 12 mm
- Port size 1)**
  - 02 R1/4
  - 03 R3/8
  - 04 R1/2
- Lock nut option**
  - Hexagon lock nut
  - J Round lock nut

1) Please refer below Model Table for possible combination.

### Models

Model		Port size	Applicable tubing O.D. (mm)			
Pressure valve	Flow valve		6	8	10	12
ASR430F-02	ASQ430F-02	R1/4	●	●	●	
ASR530F-02	ASQ530F-02	R1/4	●	●	●	●
ASR530F-03	ASQ530F-03	R3/8	●	●	●	●
ASR630F-03	ASQ630F-03	R3/8			●	●
ASR630F-04	ASQ630F-04	R1/2			●	●

### Specifications

<b>Proof pressure</b>	1.5 MPa	
<b>Maximum operating pressure</b>	1.0 MPa	
<b>Set pressure range</b>	Variable	0.1 to 0.3 MPa
	Fixed (optional)	0.2 MPa
<b>Ambient and fluid temperature</b>	-5 to 60°C (with no freezing)	
<b>Number of needle rotations</b>	10 rotations	
<b>Applicable tubing material</b>	Nylon, Soft nylon, Polyurethane	

## Effective Area

### Pressure Valve / Series ASR

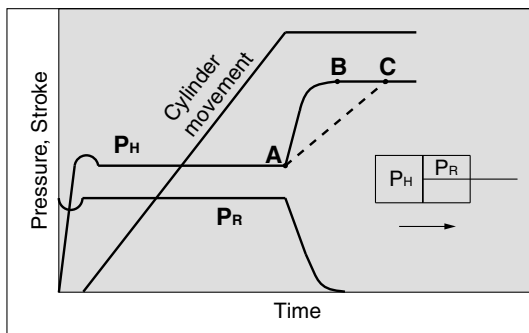
Type	Free flow mm <sup>2</sup>	Controlled flow mm <sup>2</sup>
ASR430F-02-06S(-F20)	5.4	5.9
ASR430F-02-08S(-F20)	5.9	6.7
ASR430F-02-10S(-F20)	5.9	6.7
ASR530F-02-06S(-F20)	7.3	8.1
ASR530F-02-08S(-F20)	8.9	11.8
ASR530F-02-10S(-F20)	9.2	13.3
ASR530F-02-12S(-F20)	9.5	13.7
ASR530F-03-06S(-F20)	7.3	8.1
ASR530F-03-08S(-F20)	8.9	11.8
ASR530F-03-10S(-F20)	9.2	13.3
ASR530F-03-12S(-F20)	9.5	13.7
ASR630F-03-10S(-F20)	15.3	17.8
ASR630F-03-12S(-F20)	16.0	19.1
ASR630F-04-10S(-F20)	15.3	17.8
ASR630F-04-12S(-F20)	16.0	19.1

### Flow Valve / Series ASQ

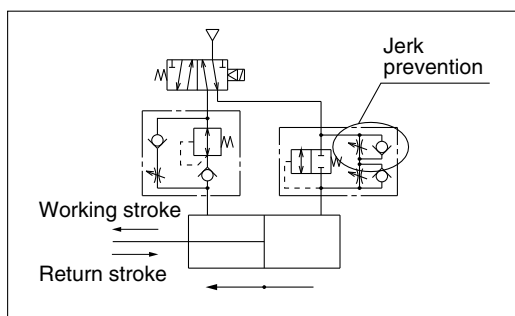
Type	Meter-out mm <sup>2</sup>	Meter-in mm <sup>2</sup>
ASQ430F-02-06S(-F20)	4.1	4.9
ASQ430F-02-08S(-F20)	4.6	5.5
ASQ430F-02-10S(-F20)	4.6	5.5
ASQ530F-02-06S(-F20)	6.6	7.8
ASQ530F-02-08S(-F20)	9.2	10.1
ASQ530F-02-10S(-F20)	9.8	10.8
ASQ530F-02-12S(-F20)	10.8	11.6
ASQ530F-03-06S(-F20)	6.6	7.8
ASQ530F-03-08S(-F20)	9.2	10.1
ASQ530F-03-10S(-F20)	9.8	10.8
ASQ530F-03-12S(-F20)	10.8	11.6
ASQ630F-03-10S(-F20)	15.3	17.1
ASQ630F-03-12S(-F20)	16.2	18.0
ASQ630F-04-10S(-F20)	15.3	17.1
ASQ630F-04-12S(-F20)	16.2	18.0

## Operating principle

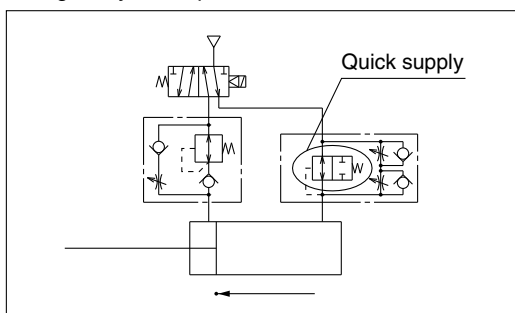
### Working stroke



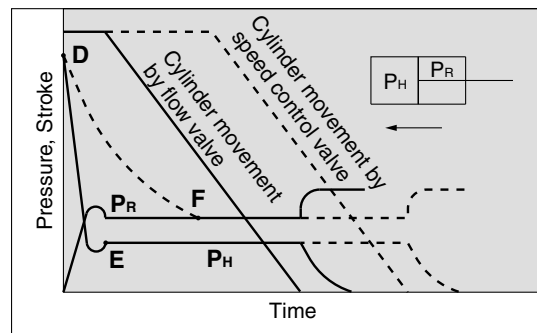
1. The cylinder starts smoothly because jerks are prevented by meter-in control.



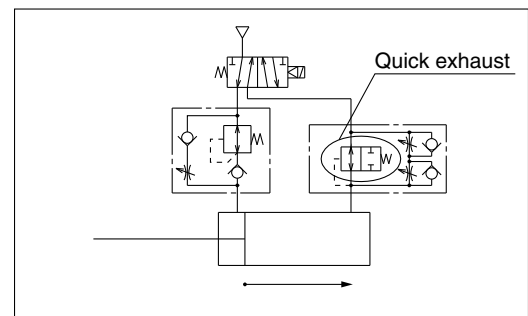
2. When the cylinder reaches the stroke end, the quick air charge by the flow valve rapidly increases the rear side pressure (P<sub>H</sub>) from A to B. If a speed controller is used instead of the flow valve, charging air will take more time as illustrated by line A-C, causing delay in the pressure rise.



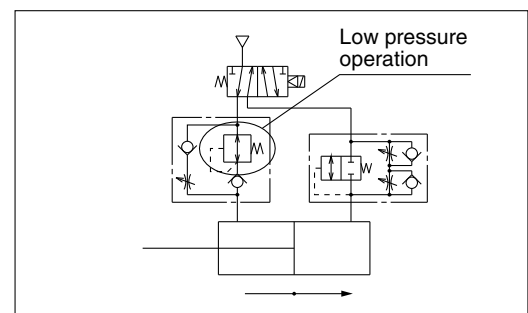
### Return stroke



3. To prevent delay due to the pressure gap, air is rapidly exhausted to decrease the pressure from D to E, after which the piston moves at a constant speed. If a speed controller is used instead of the flow valve, exhausting air will take more time as illustrated by line D-F, resulting in longer stop time of the cylinder and a consequent time loss.



4. The cylinder operates at a low pressure required for a return.



# Series ASR / Series ASQ

## Selection and Adjustment

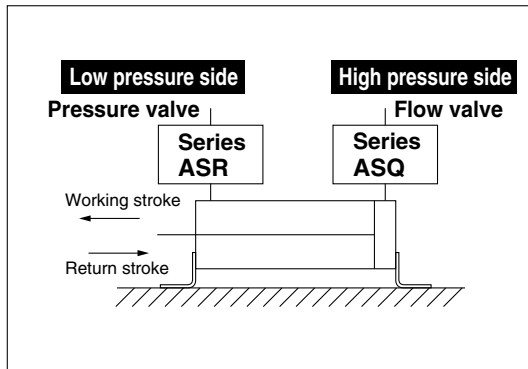
Install a flow valve on the working side which requires the cylinder output and a pressure valve on the return side. The product cannot be used in cases where the same pressure is necessary for both working and return strokes.

In such cases use a speed controller.

### Horizontal mounting

Low pressure side: Pressure valve

High pressure side: Flow valve



Refer to

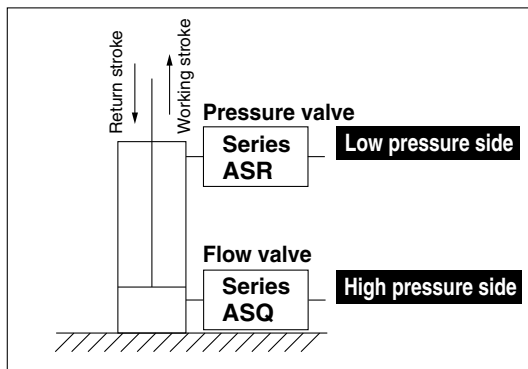
### Adjustment Procedure 1

for pressure and speed adjustment.

### Vertical mounting

Low pressure side: Pressure valve

High pressure side: Flow valve



In case the load ratio is 50% or lower at the set pressure of the flow valve:

Refer to

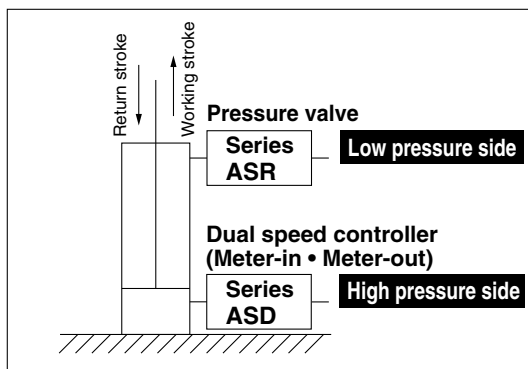
### Adjustment Procedure 1

for pressure and speed adjustment.

If the load ratio at the set pressure of the flow valve exceeds 50%, install a dual speed controller (meter-in and meter-out control) on the high pressure side.

Low pressure side: Pressure valve

High pressure side: Dual speed controller



Refer to

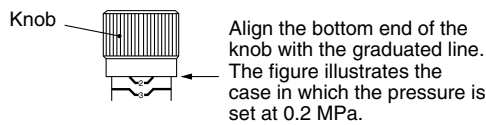
### Adjustment Procedure 2

for pressure and speed adjustment.

## Adjustment Procedure 1

### Pressure adjustment

1. The fixed set pressure type (-F20) does not require adjustment because the pressure is fixed at 0.2 MPa for both the pressure valve and the flow valve.
2. The set pressures of the variable set pressure type pressure valve and flow valve are adjusted with knob (A) and knob (B) respectively. Turn the knob clockwise to increase the pressure and counterclockwise to decrease the pressure.
3. The graduations 1, 2 and 3 correspond to 0.1, 0.2 and 0.3 MPa respectively. Align the bottom end of the knob with the graduated line for adjustment.



4. Set the same pressure for the pressure valve and the flow valve (0.2 MPa as the recommended value).
5. The inlet side should be supplied with a pressure which is higher than the set pressure by 0.1 MPa or more.
6. Cap the valve after adjustment.

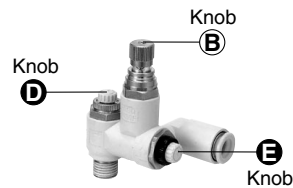
### Pressure Valve / Series ASR



### Speed control

1. The cylinder speed is adjusted with knobs (C), (D) and (E). First have all the knobs fully closed and then open them gradually for adjustment. Turn the knob clockwise to close (decrease the speed of the piston rod) and counterclockwise to open (increase the speed of the piston rod).
2. Speed adjustment for the working stroke  
The speed is adjusted with the pressure valve and the flow valve.  
Open knobs (C) and (E) gradually until the required speed is achieved. Make sure that knobs (C) and (E) are opened by the same number of rotations.  
Note 1) If the piston rod jerks, close knob (E) until the smooth operation is achieved.
3. Speed adjustment for return stroke  
The speed is adjusted with the flow valve.  
Open knob (D) gradually until the required speed is achieved.
4. Be sure to tighten the lock nut after adjustment.

### Flow Valve / Series ASQ



## Adjustment Procedure 2

### Pressure adjustment

1. The fixed set pressure type (-F20) does not require adjustment because the pressure is fixed at 0.2 MPa.
2. The pressure at the low pressure side (return stroke side) is adjusted by the pressure valve.
3. The set pressure is adjusted with knob (A). Turn the knob clockwise to increase the pressure and counterclockwise to decrease the pressure.
4. The graduations 1, 2 and 3 correspond to 0.1, 0.2 and 0.3 MPa respectively. Align the bottom end of the knob with the graduated line for adjustment.
5. Keep the set pressure as low as possible in order to achieve good air saving effect.
6. Cap the valve after adjustment.

### Pressure Valve / Series ASR



### Speed control

1. The cylinder speed is adjusted with knobs (C), (F) and (G). First have all the knobs fully closed and then open them gradually for adjustment. Turn the knob clockwise to close (decrease the speed of the piston rod) and counterclockwise to open (increase the speed of the piston rod).
2. Speed adjustment for the working stroke  
The speed is adjusted with the pressure valve and the dual speed controller.  
Open knobs (C) and (G) gradually until the required speed is achieved. Make sure that knobs (C) and (G) are opened by the same number of rotations.  
Note 1) If the piston rod jerks, close knob (G) until the smooth operation is achieved.
3. Speed adjustment for return stroke  
The speed is adjusted with the dual speed controller.  
Open knob (F) gradually until the required speed is achieved.
4. Be sure to tighten the lock nut after adjustment.

### Dual Speed Controller / Series ASD

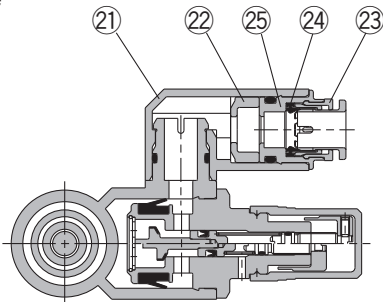


# Series ASR / Series ASQ

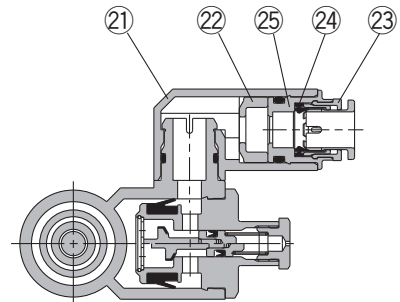
## Construction

### Pressure Valve / Series ASR

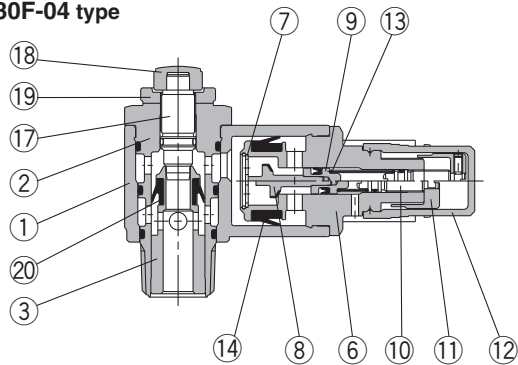
#### Variable type



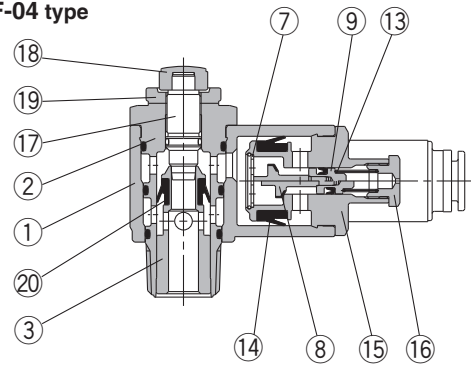
#### Fixed type



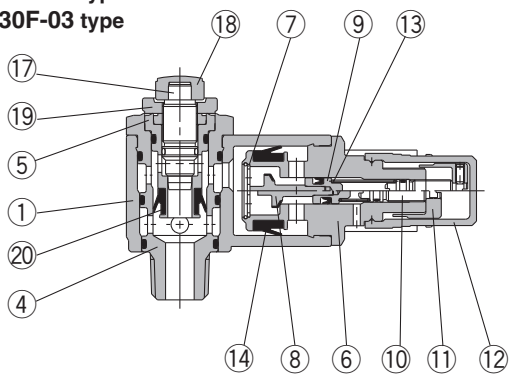
#### ASR430F-02 type ASR530F-03 type ASR630F-04 type



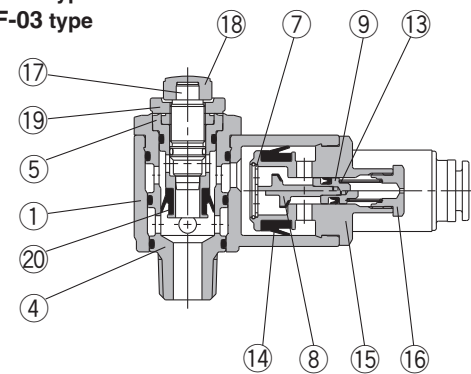
#### ASR430F-02 type ASR530F-03 type ASR630F-04 type



#### ASR530F-02 type ASR630F-03 type



#### ASR530F-02 type ASR630F-03 type



### Parts list

No.	Description	Material	Note
1	Body A	PBT	
2	Body B	Brass	Electroless nickel plated
3	Seat ring	Brass	Electroless nickel plated
4	Body B1	Brass	Electroless nickel plated
5	Body B2	Brass	Electroless nickel plated
6	Body C	Brass	Electroless nickel plated
7	Stopper	Stainless steel	
8	Valve	HNBR • Brass	
9	Piston	Brass	
10	Adjustment screw	Brass	Electroless nickel plated
11	Knob	Brass	Electroless nickel plated
12	Cap	Polypropylene	
13	Adjustment spring	Steel wire	Zinc chromated

No.	Description	Material	Note
14	U seal	HNBR	
15	Body C	Brass	Electroless nickel plated
16	Adjustment plug	Brass	Electroless nickel plated
17	Needle	Brass	Electroless nickel plated
18	Knob	PBT	
19	Lock nut	Steel	Zinc chromated
20	U seal	HNBR	
21	Elbow body	PBT	
22	Spacer <sup>Note 1)</sup>	PBT	
23	Cassette	Stainless steel • POM	
24	Seal	NBR	
25	Drive body <sup>Note 2)</sup>	Brass	Electroless nickel plated

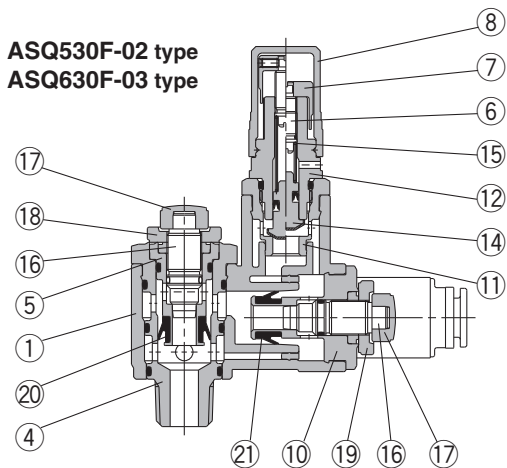
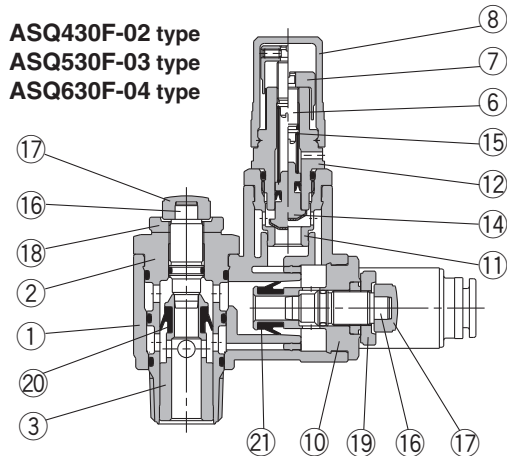
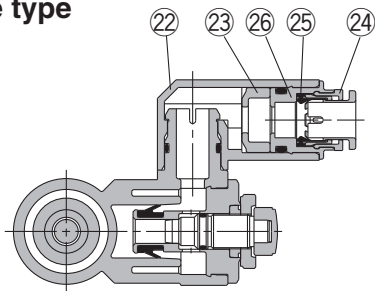
Note 1) Not used for  $\phi 6$  and  $\phi 8$ .

Note 2) Not used for  $\phi 10$  and  $\phi 12$ .

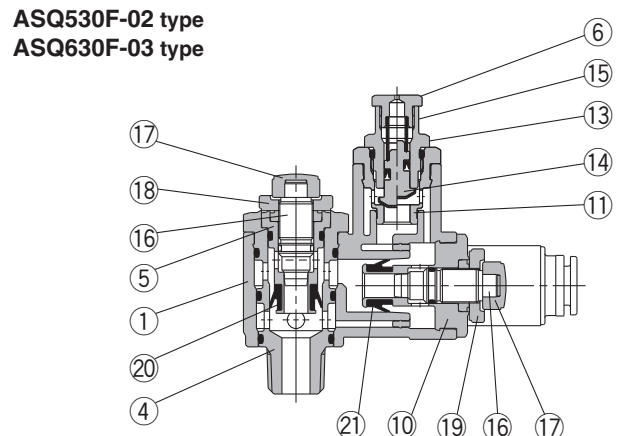
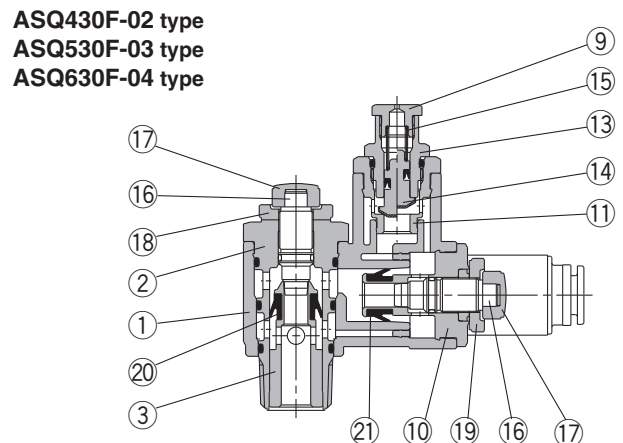
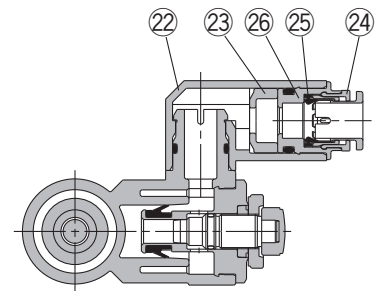


## Flow Valve / Series ASQ

### Variable type



### Fixed type



### Parts list

No.	Description	Material	Note
1	<b>Body A</b>	PBT	
2	<b>Body B</b>	Brass	Electroless nickel plated
3	<b>Seat ring</b>	Brass	Electroless nickel plated
4	<b>Body B1</b>	Brass	Electroless nickel plated
5	<b>Body B2</b>	Brass	Electroless nickel plated
6	<b>Adjustment screw</b>	Brass	Electroless nickel plated
7	<b>Knob</b>	Brass	Electroless nickel plated
8	<b>Cap</b>	Polypropylene	
9	<b>Adjustment plug</b>	Brass	Electroless nickel plated
10	<b>Body C</b>	Brass	Electroless nickel plated
11	<b>Body D1</b>	Brass	Electroless nickel plated
12	<b>Body D2</b>	Brass	Electroless nickel plated
13	<b>Body D3</b>	Brass	Electroless nickel plated

No.	Description	Material	Note
14	<b>Piston valve</b>	HNBR • Brass	
15	<b>Adjustment spring</b>	Steel wire	Zinc chromated
16	<b>Needle</b>	Brass	Electroless nickel plated
17	<b>Knob</b>	PBT	
18	<b>Lock nut</b>	Steel	Zinc chromated
19	<b>Lock nut</b>	Steel	Black zinc chromated
20	<b>U seal</b>	HNBR	
21	<b>U seal</b>	HNBR	
22	<b>Elbow body</b>	PBT	
23	<b>Spacer</b> <sup>Note 1)</sup>	PBT	
24	<b>Cassette</b>	Stainless steel • POM	
25	<b>Seal</b>	NBR	
26	<b>Drive body</b> <sup>Note 2)</sup>	Brass	Electroless nickel plated

Note 1) Not used for ø6 and ø8.

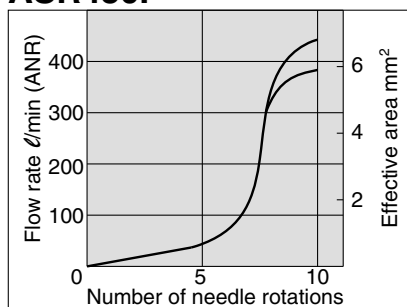
Note 2) Not used for ø10 and ø12.

# Series ASR / Series ASQ

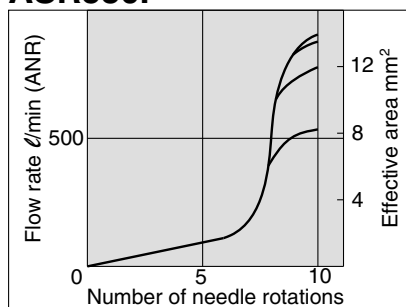
## Flow Characteristics

### Pressure Valve / Series ASR (Inlet pressure: 0.5 MPa)

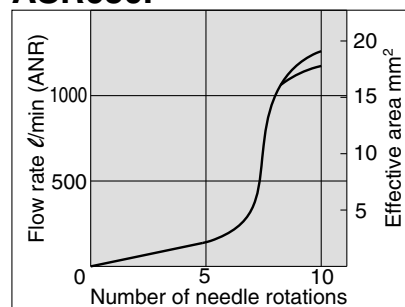
#### ASR430F



#### ASR530F



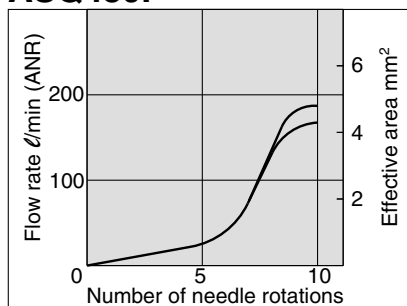
#### ASR630F



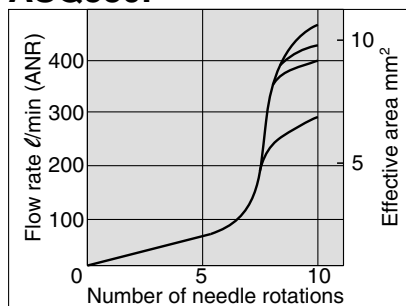
### Flow Valve / Series ASQ

#### Meter-out type (Inlet pressure: 0.3 MPa)

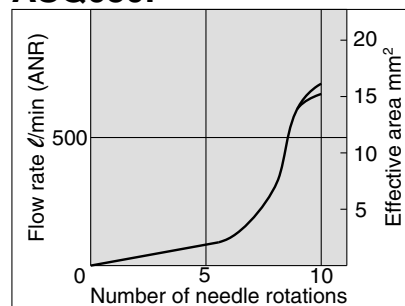
#### ASQ430F



#### ASQ530F

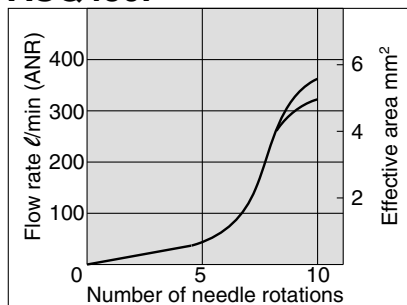


#### ASQ630F

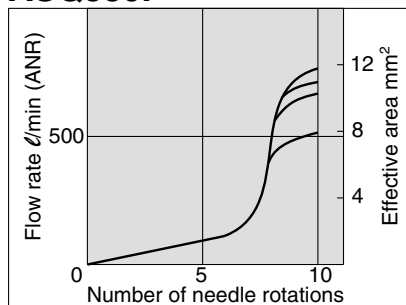


#### Meter-in type (Inlet pressure: 0.5 MPa)

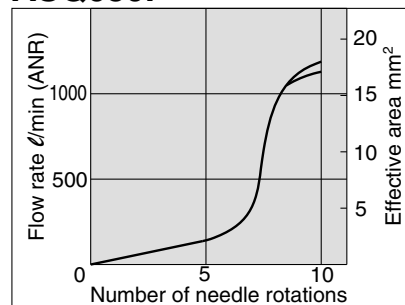
#### ASQ430F



#### ASQ530F

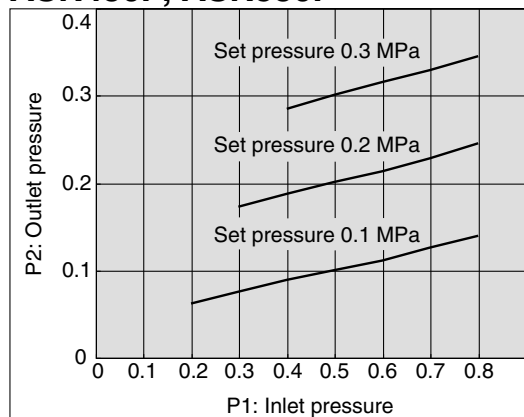


#### ASQ630F

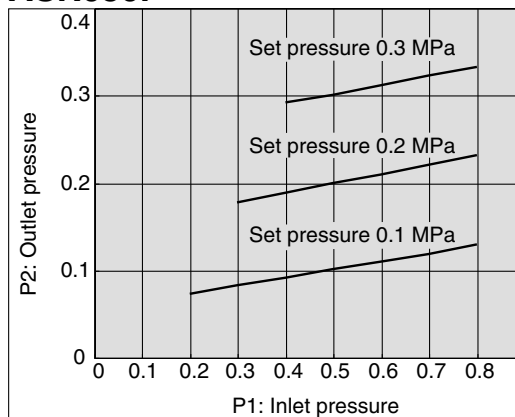


## Pressure Characteristics (ASR)

#### ASR430F, ASR530F



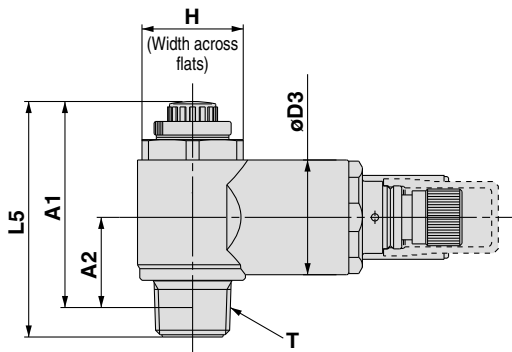
#### ASR630F



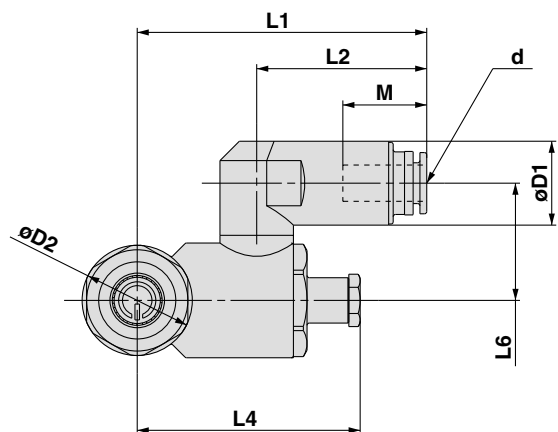
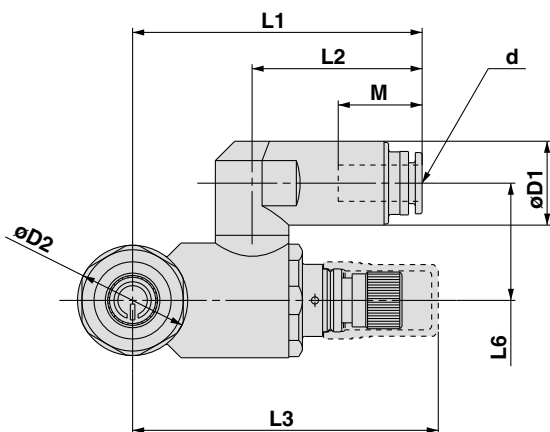
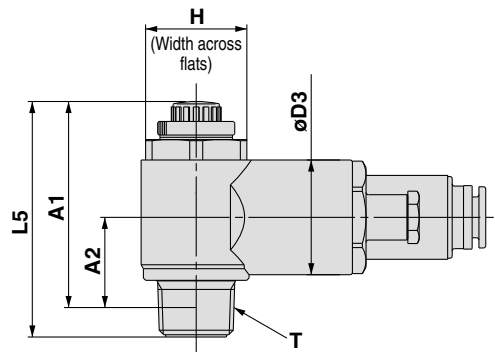
## Dimensions

### Pressure Valve / Series ASR

#### Variable set pressure type



#### Fixed set pressure type (-F20)



Model	Note 1) d	T	H	D1	D2	D3	Note 6) L1	Note 6) L2	Note 2) L3	Note 3) L4	L5		L6	A1		A2	M	Weight (g) Note 5)	
											MAX.	MIN.		MAX.	MIN.			□1	□2
ASR430F-02-06S,-F20	6						57.7	34.9									17	111	89
ASR430F-02-08S,-F20	8	R1/4	17	18.5	20	21.5	58.7	35.9	63.7	45.6	50.6	45.6	23	44.6	39.6	16.8	17	114	93
ASR430F-02-10S,-F20	10						53.8	31									21	105	82
ASR530F-02-06S,-F20	6						62.9	36.5									17	150	127
ASR530F-02-08S,-F20	8	R1/4	21	18.5	24.3	25.3	63.9	37.5	67.3	49.2	55.8	50.8	25.9	49.8	44.8	18.8	18.5	153	130
ASR530F-02-10S,-F20	10						59	32.6									21	143	120
ASR530F-02-12S,-F20	12			20.9			60.8	34.4									22	146	122
ASR530F-03-06S,-F20	6						62.9	36.5									17	160	137
ASR530F-03-08S,-F20	8			18.5	24.3	25.3	63.9	37.5	67.3	49.2	57.4	52.4	25.9	51	46	20	18.5	163	140
ASR530F-03-10S,-F20	10	R3/8	21				59	32.6									21	153	130
ASR530F-03-12S,-F20	12			20.9			60.8	34.4									22	156	133
ASR630F-03-10S,-F20	10			18.5	29.7	30	62.8	32.6	86.3	65.5	67.6	60.1	27.7	61.2	53.7	20.6	21	237	219
ASR630F-03-12S,-F20	12	R3/8	25	20.9			64.6	34.4									22	239	221
ASR630F-04-10S,-F20	10			18.5	29.7	30	62.8	32.6	86.3	65.5	71.1	63.6	27.7	62.9	55.4	24.1	21	257	239
ASR630F-04-12S,-F20	12	R1/2	25	20.9			64.6	34.4									22	259	239

Note 1) "d" indicates the applicable tubing O.D.

Note 2) L3 is the dimension for the variable set pressure type.

Note 3) L4 is the dimension for the fixed set pressure type.

Note 4) A1 and A2 are reference dimensions after installation.

Note 5) □1 is the weight for the variable set pressure type and □2 is that for the fixed set pressure type.

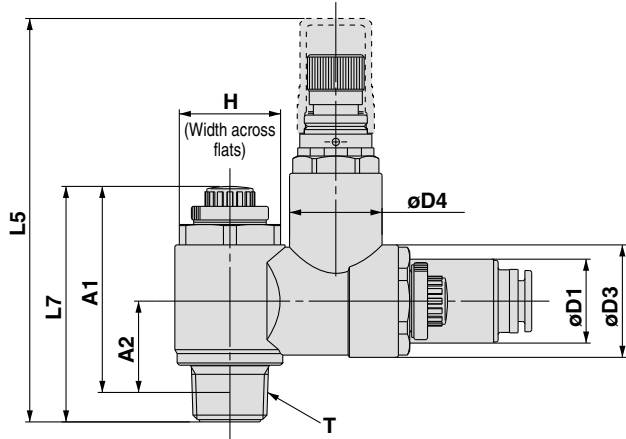
Note 6) Please note, it is possible to rotate the piping port in 360°.

# Series ASR / Series ASQ

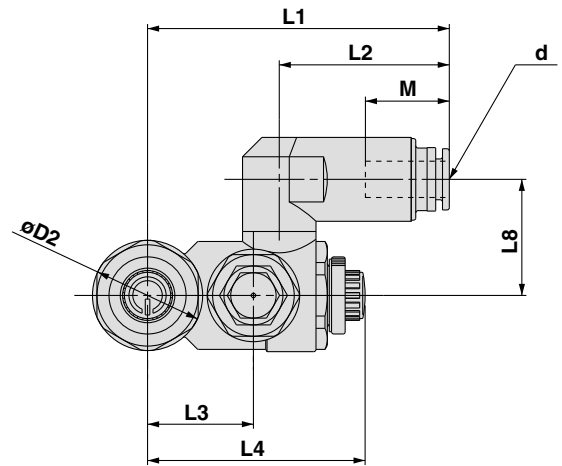
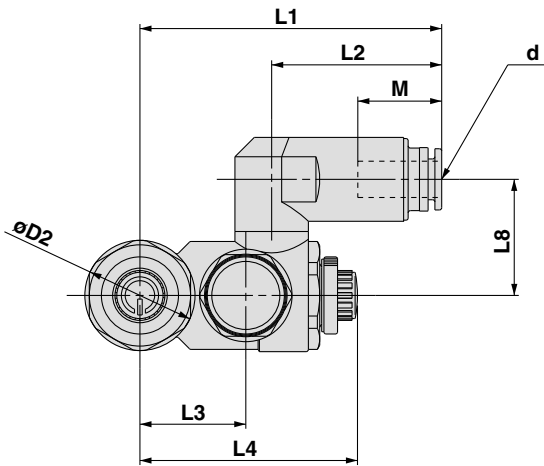
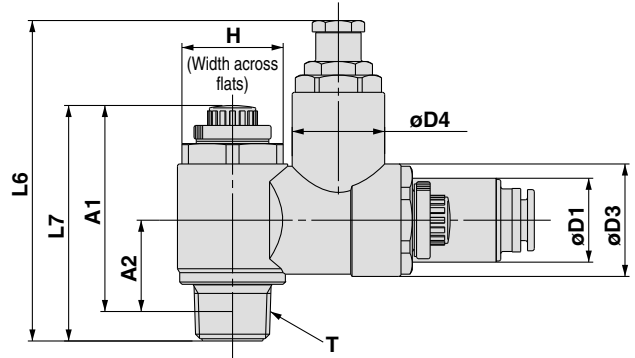
## Dimensions

### Flow Valve / Series ASQ

#### Variable set pressure type



#### Fixed set pressure type



Model	Note 1) d	T	H	D1	D2	D3	D4	Note 6) L1	Note 6) L2	L3	L4		Note 2) L5	Note 3) L6	L7		L8	A1 Note 4)		Note 4) A2	M	Weight (g) Note 5)	
											MAX.	MIN.			MAX.	MIN.		MAX.	MIN.			□1	□2
ASQ430F-02-06S,-F20	6							61.6	34.9												17	136	114
ASQ430F-02-08S,-F20	8	R1/4	17	18.5	20	21.5	19.5	62.6	35.9	20.3	49.4	44.4	88.8	68.7	50.6	45.6	23	44.6	39.6	17.9	17	136	114
ASQ430F-02-10S,-F20	10							57.7	31												21	130	108
ASQ530F-02-06S,-F20	6							65.6	36.5												17	178	155
ASQ530F-02-08S,-F20	8	R1/4	21	18.5	24.3	24.8	20.4	66.6	37.5	23.4	53.5	48.5	92.2	72	55.8	50.8	25.6	49.8	44.8	19	18.5	181	158
ASQ530F-02-10S,-F20	10							61.7	32.6												21	172	149
ASQ530F-02-12S,-F20	12							63.5	34.4												22	174	151
ASQ530F-03-06S,-F20	6							65.6	36.5												17	188	165
ASQ530F-03-08S,-F20	8							66.6	37.5												18.5	191	168
ASQ530F-03-10S,-F20	10	R3/8	21	18.5	24.3	24.8	20.4	61.7	32.6	23.4	53.5	48.5	93.8	73.6	57.4	52.4	25.6	51	46	20.2	21	182	159
ASQ530F-03-12S,-F20	12							63.5	34.4												22	184	161
ASQ630F-03-10S,-F20	10							74.8	32.6												21	310	292
ASQ630F-03-12S,-F20	12	R3/8	25	18.5	29.7	30.7	30	76.6	34.4	30.8	74.3	66.8	107.9	86.9	67.6	60.1	28	61.2	53.7	20.8	22	312	294
ASQ630F-04-10S,-F20	10							74.8	32.6												21	330	312
ASQ630F-04-12S,-F20	12	R1/2	25	18.5	29.7	30.7	30	76.6	34.4	30.8	74.3	66.8	111.4	90.4	71.1	63.6	28	62.9	55.4	24.1	22	332	314

Note 1) "d" indicates the applicable tubing O.D..

Note 2) L5 is the dimension for the variable set pressure type.

Note 3) L6 is the dimension for the fixed set pressure type.

Note 4) A1 and A2 are reference dimensions after installation.


Note 5) □1 is the weight for the variable set pressure type and □2 is that for the fixed set pressure type.


Note 6) Please note, it is possible to rotate the piping port in 360°.




# Safety Instructions

These safety instructions are intended to prevent a hazardous situation and/or equipment damage. These instructions indicate the level of potential hazard by labels of "**Caution**", "**Warning**" or "**Danger**". To ensure safety, be sure to observe ISO 4414 <sup>Note 1)</sup>, JIS B 8370 <sup>Note 2)</sup> and other safety practices.

 **Caution** : Operator error could result in injury or equipment damage.

 **Warning** : Operator error could result in serious injury or loss of life.

 **Danger** : In extreme conditions, there is a possible result of serious injury or loss of life.

Note 1) ISO 4414: Pneumatic fluid power — General rules relating to systems.

Note 2) JIS B 8370 : Pneumatic system axiom.

## Warning

### **1. The compatibility of pneumatic equipment is the responsibility of the person who designs the pneumatic system or decides its specifications.**

Since the products specified here are used in various operating conditions, their compatibility for the specific system must be based on specifications or after analysis and/or tests to meet your specific requirements. The expected performance and safety assurance will be the responsibility of the person who has determined the compatibility of the system. This person should continuously review the suitability of all items specified, referring to the latest catalogue information with a view to giving due consideration to any possibility of equipment failure when configuring a system.

### **2. Only trained personnel should operate pneumatically operated machinery and equipment.**

Compressed air can be dangerous if handled incorrectly. Assembly, handling or repair of pneumatic systems should be performed by trained and experienced operators.

### **3. Do not service machinery/equipment or attempt to remove components until safety is confirmed.**

1. Inspection and maintenance of machinery/equipment should only be performed after confirmation of safe locked-out control positions.
2. When equipment is to be removed, confirm the safety process as mentioned above. Cut the supply pressure and electric power for this equipment and exhaust all compressed air in the system.
3. Before machinery/equipment is restarted, take measures to prevent shooting-out of cylinder piston rod, etc.

### **4. Contact SMC if the product is to be used in any of the following conditions:**

1. Conditions and environments beyond the given specifications, or if product is used outdoors.
2. Installation on equipment in conjunction with atomic energy, railway, air navigation, vehicles, medical equipment, food and beverages, recreation equipment, emergency stop circuits, press applications, or safety equipment
3. An application which has the possibility of having negative effects on people, property, or animals, requiring special safety analysis.



# Air Saving Valve Precautions

Be sure to read before handling.

## Selection

### ⚠ Warning

#### 1. Confirm the specifications.

The products appearing in this catalog are designed for use only in compressed air (included vacuum pressure) systems.

Do not use outside the specified ranges of pressure, temperature, etc., as this may cause damage or malfunction. (Refer to specifications.)

Consult SMC if fluids other than compressed air (included vacuum pressure) are to be used.

## Installation

### ⚠ Warning

#### 1. Read the instruction manual carefully.

The instruction manual should be carefully read and fully understood before the product is installed and operated. Also, the manual should be kept where it can be easily referred to at any time.

#### 2. Allow space for maintenance.

Allow the space necessary for maintenance and inspections.

#### 3. Tighten screws with the proper tightening torque.

When mounting the product, tighten screws with the recommended torque.

## Piping

### ⚠ Caution

#### 1. Preparation before piping

Before piping is connected, it should be thoroughly blown out with air (flushing) or washed to remove chips, cutting oil and other debris from inside the pipe.

#### 3. Wrapping of sealant tape

When screwing together pipes, fittings, etc., be certain that chips from the pipe threads and sealant material do not get inside the piping.

Further, when sealant tape is used, leave 1.5 to 2 thread ridges exposed at the end of the threads.

## Air Supply

### ⚠ Warning

#### 1. Types of fluid

This product is designed for use with compressed air. Contact SMC if a different type of fluid is to be used.

Contact SMC regarding products for general fluids, to confirm which fluids can be used.

#### 2. A large amount of condensate

Pressurized air containing a large amount of condensate may cause malfunction of the pneumatic equipment. An air dryer or water separator should be installed upstream from the filters.

## Air Supply

### ⚠ Caution

#### 3. Drain flushing management

If the air filter drains are not flushed regularly, the condensate will flow downstream from the drains, resulting in malfunction of the pneumatic equipment.

In cases where drain flushing will be difficult, use of filters with auto drain is recommended.

For detailed information on the quality of compressed air, refer to Best Pneumatics Vol. 4.

#### 4. Types of air

Do not use compressed air containing chemicals, salt, corrosive gases, synthetic oil which includes organic solvents, etc., which may cause damage or faulty operation.

## Operating Environment

### ⚠ Warning

1. Do not use valves where there is direct contact with, or in atmospheres of, corrosive gases, chemicals, salt water, water or steam.

2. Provide shade in locations which receive direct sunlight.

3. Do not operate in locations where vibration or impact occurs.

4. Do not operate in locations where the product is exposed to direct heat radiation from a heat source at a close distance.

## Maintenance

### ⚠ Warning

1. Maintenance should be performed in accordance with the procedures in the instruction manual.

Incorrect handling can cause damage or malfunction of machinery and equipment, etc.

#### 2. Maintenance work

Compressed air can be dangerous if handled improperly. Element replacement and other maintenance etc., should be performed by personnel having sufficient knowledge and experience pertaining to pneumatic equipment, while also adhering to the product specifications.

#### 3. Drain flushing

Condensate should be flushed from the air filter and other drains on a regular basis.

#### 4. Pre-maintenance checks

When the product is to be removed, be sure to shut off the supply pressure, release compressed air in the pipelines and confirm an atmospheric release condition before proceeding.

#### 5. Post-maintenance checks

After mounting, repair or renovation, supply compressed air and perform suitable function and leak tests. If an audible leak is detected or equipment does not operate properly, stop operation and confirm that mounting is correct.

#### 6. Disassembly and modification is prohibited.

Do not disassemble or modify the main unit.



# Pressure Valve *Series ASR* / Flow Valve *Series ASQ* Specific Product Precautions

Be sure to read before handling.

## Selection

### ⚠ Warning

1. The product cannot be used as a stop valve, of which zero leakage is required.

The specifications of the product allow a certain degree of leakage.

2. Confirm whether PTFE can be used.

The sealing compound contains PTFE (tetrafluoroethylene resin) powder. Make sure that it will not cause any problem in operation.

3. Keep the set pressure range of the outlet pressure of the pressure valve within 85% that of the inlet pressure.

If the value exceeds 85%, the pressure may become unstable, affected by the fluctuation of the inlet pressure.

## Installation

### ⚠ Warning

1. Confirm that the lock nut is not loose.

If the lock nut is loose, there may be dangerous changes in actuator speed.

2. The number of opening and closing rotations of the needle valve and adjustment screw should be adjusted within the range of the specifications.

Since it has a pull-out stop mechanism, it will not rotate past the limit. Confirm the number of rotations for the product being used, as excessive turning of the needle will cause damage.

3. To adjust the speed, start with the needle in the completely closed position, and then adjust by opening gradually.

When the needle valve is opening, the actuator may jerk suddenly creating a dangerous situation.

Moreover, the needle valve is closed by turning clockwise, and opened by turning counterclockwise. Therefore, the actuator speed is reduced by turning clockwise and increased by turning counterclockwise.

When the product is used for an actuator operating vertically, the actuator may lurch depending on the load. For the adjustment method, please refer to "Selection and Adjustment" on page 3 and 4.

4. For installation and removal, tighten the body B by applying an appropriate wrench to the two opposite sides of the hexagon.

Using other parts may destroy the valve. For alignment after installation, rotate body A manually.

5. Do not use universal type fittings at a position where they are constantly rotated.

The fittings may be damaged.

6. The valve cannot be used if there are fluctuations of the load.

The piston rod may jerk during operation.

7. In case a closed-center solenoid valve is used, switch to the center position only after pressure charge inside the cylinder at the stroke end is completed.

If the pressure charge is insufficient, the piston rod may jerk after restart.

## Tightening Torque

### ⚠ Caution

1. The proper tightening torque for pipe fittings is as shown in the table. As a rule, they should be tightened 2 to 3 turns with a tool after first tightening by hand. Be careful not to cause damage by over-tightening.

Male thread	Proper tightening torque N·m	Width across flats mm	Nominal size of adjustable angle wrench mm
1/4	12 to 14	17	200
3/8	22 to 24	21	200
1/2	28 to 30	25	250

## Handling of One-Touch Fittings

### ⚠ Caution

1. Installation and Removal of Tubing for One-Touch Fittings

#### 1) Installation of tubing

- (1) Using tube cutters TK-1, 2 or 3, take a tube having no flaws on its periphery and cut it off at a right angle. Do not use pinchers, nippers or scissors, etc. The tubing might be cut diagonally or flattened, making installation impossible or causing problems such as disconnection and leakage. Allow extra length for the tubing.
- (2) Hold the tubing and push it in slowly, inserting it securely all the way into the fitting.
- (3) After inserting the tubing, pull on it lightly to confirm that it will not come out. If it is not installed securely all the way into the fitting, problems such as leakage or disconnection of the tubing can occur.

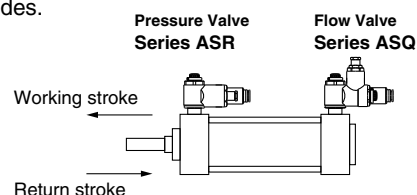
#### 2) Removal of tubing

- (1) Push in the release button sufficiently, pressing the collar evenly around its circumference.
- (2) Pull out the tubing while holding down the release button so that it does not pop out. If the release button is not pressed down sufficiently, there will be increased bite on the tubing and it will become more difficult to pull it out.
- (3) When the removed tubing is to be used again, first cut off the section of the tubing which has been chewed. Using the chewed portion of the tube as it is can cause problems such as leakage or difficulty in removing the tubing.

## Operating

### ⚠ Caution

1. The valve cannot be used if the same pressure is required for both the working and return strokes. The pressure valve and flow valve are designed to save air by the difference in the operating pressure.
2. Install a flow valve on the working side which requires the cylinder output and a pressure valve on the return side. The cylinder may not operate if the valves are installed on the wrong sides.



3. If a closed-centre, exhaust-centre, pressure-centre or perfect solenoid valve is used and the solenoid valve is set at the center position, the cylinder may move to the position where the pressure balance and load balance are achieved.



## EUROPEAN SUBSIDIARIES:



### Austria

SMC Pneumatik GmbH (Austria).  
Girakstrasse 8, A-2100 Korneuburg  
Phone: +43 2262-62280, Fax: +43 2262-62285  
E-mail: office@smc.at  
http://www.smc.at



### Germany

SMC Pneumatik GmbH  
Boschring 13-15, D-63329 Egelsbach  
Phone: 06103-4020, Fax: 06103-402139  
E-mail: info@smc-pneumatik.de



### Netherlands

SMC Pneumatics BV  
De Ruyterkade 120, NL-1011 AB Amsterdam  
Phone: 020-5318888, Fax: 020-5318880  
E-mail: info@smcpneumatics.nl



### Slovenia

SMC industrijska Avtomatika d.o.o.  
Grajski trg 15, SLO-8360 Zuzemberk  
Phone: +386 738 85240 Fax: +386 738 85249  
E-mail: office@smc-ind-avtom.si  
http://www.smc-ind-avtom.si



### Belgium

SMC Pneumatics N.V./S.A.  
Nijverheidsstraat 20, B-2160 Wommelgem  
Phone: 03-355-1464, Fax: 03-355-1466  
E-mail: post@smcpneumatics.be



### Greece

S. Parianopoulos S.A.  
7, Konstantinoupoleos Street,  
GR-11855 Athens  
Phone: 01-3426076, Fax: 01-3455578



### Norway

SMC Pneumatics Norway A/S  
Vollsveien 13 C, Granfos Næringspark  
N-1366 Lysaker  
Tel: (47) 67 12 90 20, Fax: (47) 67 12 90 21



### Spain

SMC España, S.A.  
Zuazobidea 14  
01015 Vitoria  
Phone: 945-184 100, Fax: 945-184 124  
E-mail: post@smc.smces.es



### Czech Republic

SMC Industrial Automation CZ s.r.o.  
Hudcova 78a, CZ-61200 Brno  
Phone: +420 5 414 24611, Fax: +420 5 412 18034  
E-mail: office@smc.cz  
http://www.smc.cz



### Hungary

SMC Hungary Ipari Automatizálási Kft.  
Budafoki út 107-113, H-1117 Budapest  
Phone: +36 1 371 1343, Fax: +36 1 371 1344  
E-mail: office@smc-automation.hu  
http://www.smc-automation.hu



### Poland

SMC Industrial Automation Polska Sp.z.o.o.  
ul. Konstruktorska 11A, PL-02-673 Warszawa,  
Phone: +48 22 548 5085, Fax: +48 22 548 5087  
E-mail: office@smc.pl  
http://www.smc.pl



### Sweden

SMC Pneumatics Sweden AB  
Ekhagsvägen 29-31, S-141 71 Huddinge  
Phone: 08-603 07 00, Fax: 08-603 07 10  
http://www.smc.nu



### Denmark

SMC Pneumatik A/S  
Knudsminde 4B, DK-8300 Odder  
Phone: (45)70252900, Fax: (45)70252901  
E-mail: smc@smc-pneumatik.dk



### Ireland

SMC Pneumatics (Ireland) Ltd.  
202 Citywest Business Campus,  
Naas Road, Saggart, Co. Dublin  
Phone: 01-403 9000, Fax: 01-464-0500



### Portugal

SMC Sucursal Portugal, S.A.  
Rua de Engº Ferreira Dias 452, 4100-246 Porto  
Phone: 22-610-89-22, Fax: 22-610-89-36  
E-mail: postpt@smc.smces.es



### Switzerland

SMC Pneumatik AG  
Dorfstrasse 7, CH-8484 Weisslingen  
Phone: 052-396-3131, Fax: 052-396-3191  
E-mail: info@smc.ch  
http://www.smc.ch



### Estonia

SMC Pneumatics Estonia OÜ  
Laki 12-101, 106 21 Tallinn  
Phone: 06 593540, Fax: 06 593541  
http://www.smc-pneumatics.ee



### Italy

SMC Italia S.p.A  
Via Garibaldi 62, I-20061Carugate, (Milano)  
Phone: 02-92711, Fax: 02-9271365  
E-mail: mailbox@smcitalia.it



### Romania

SMC Romania srl  
Vasile Stroescu 19, Sector 2, Bucharest  
Phone: 01-3205111, Fax: 01-3261489  
E-mail: smccadm@canad.ro



### Turkey

Entek Pnömatik San. ve Tic Ltd. Sti.  
Perpa Tic. Merkezi Kat: 11 No: 1625,  
TR-80270 Okmeydani Istanbul  
Phone: 0212-221-1512, Fax: 0212-221-1519



### Finland

SMC Pneumatics Finland OY  
PL72, Tiistiniityntie 4, SF-02031 ESPOO  
Phone: 09-859 580, Fax: 09-8595 8595



### Latvia

SMC Pneumatics Latvia SIA  
Smerla 1-705, Riga LV-1006, Latvia  
Phone: 0777-94-74, Fax: 0777-94-75



### Russia

SMC Pneumatik LLC.  
36/40 Sredny pr. St. Petersburg 199004  
Phone: (812) 118 5445, Fax: (812) 118 5449  
E-mail: smcfa@peterlink.ru



### UK

SMC Pneumatics (UK) Ltd  
Vincent Avenue, Crownhill,  
Milton Keynes, MK8 0AN  
Phone: 0800 1382930 Fax: 01908-555064  
E-mail: sales@pneumatics.co.uk  
http://www.smc-pneumatics.co.uk



### France

SMC Pneumatique, S.A.  
1, Boulevard de Strasbourg, Parc Gustave Eiffel  
Bussy Saint Georges  
F-77607 Marne La Vallée Cedex 3  
Phone: 01-6476 1000, Fax: 01-6476 1010



### Lithuania

UAB Ottensten Lietuva  
Savanoriu pr. 180, LT-2600 Vilnius, Lithuania  
Phone/Fax: 370-2651602



### Slovakia

SMC Priemyselna Automatizacia, s.r.o.  
Námestie Martina Benku 10  
SK-81107 Bratislava  
Phone: +421 2 444 56725, Fax: +421 2 444 56028  
E-mail: office@smc.sk  
http://www.smc.sk



## OTHER SUBSIDIARIES WORLDWIDE:

ARGENTINA, AUSTRALIA, BOLIVIA, BRASIL, CANADA, CHILE, CHINA, HONG KONG, INDIA, MALAYSIA, MEXICO, NEW ZEALAND, PHILIPPINES, SINGAPORE, SOUTH KOREA, TAIWAN, THAILAND, USA, VENEZUELA

<http://www.smceu.com>  
<http://www.smcworld.com>