

Metering Valve with Silencer

Series ASN2

RoHS

Superior sound reducing performance
Over 20dB at Max. flow rate

Cylinder speed easily set

Shape of needle as the same as that of speed controller

Retainer prevents accidental loss of needle



Model

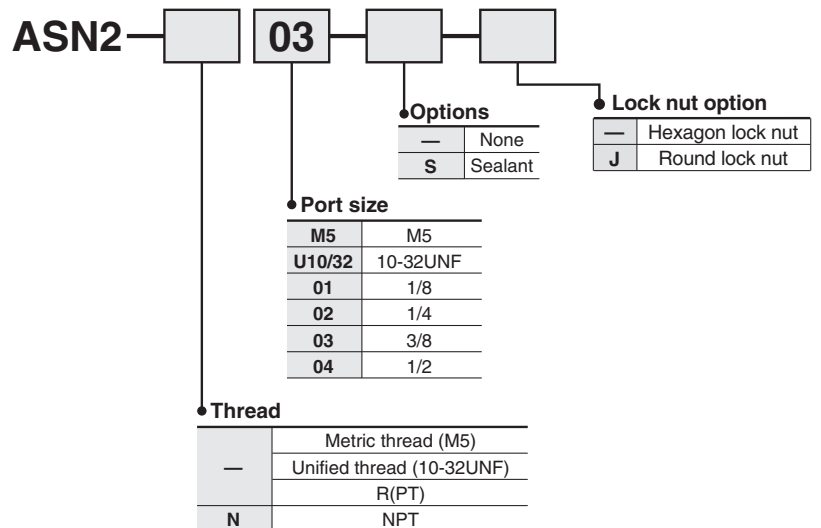
Model	Port size	Effective area (mm ²)	Weight (g)
ASN2-M5	M5	1.8	5
ASN2-U10/32	10-32UNF	1.8	5
ASN2-01	1/8	3.6	17
ASN2-02	1/4	6.5	34
ASN2-03	3/8	16.6	55
ASN2-04	1/2	24.5	107

Specifications

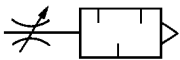
Proof pressure	1.5MPa
Operating pressure range	0 to 1MPa
Ambient and fluid temperature	- 5 to 60°C (No freezing)
Number of needle rotation	10 turns (8 turns ⁽¹⁾)

Note 1) (): ASN2-M5, ASN2-U10/32

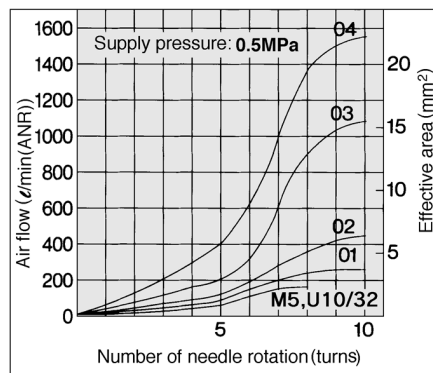
How to Order



Symbol

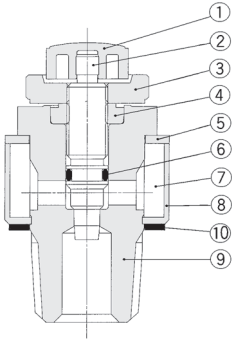


Needle Valve/Flow Characteristics



Series ASN2

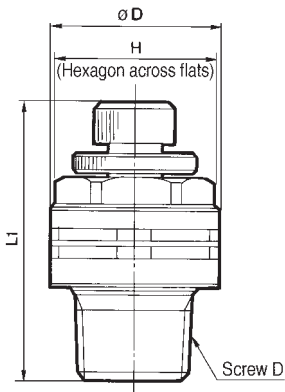
Construction



Component Parts

No.	Description	Material	Note
①	Handle	PBT	
②	Needle	Brass	Electroless nickel plated
③	Lock nut	Steel	Zinc chromated
④	Needle guide	Brass	Electroless nickel plated
⑤	Washer	Carbon steel	Nickel plated
⑥	O-ring	NBR	
⑦	Silencer	PVA sponge	
⑧	Silencer cover	Soft polyethylene	
⑨	Body B	Brass	Electroless nickel plated
⑩	Gasket	NBR/Stainless steel	M5,U10/32 only

Dimensions



Dimensions

Model	Screw D	øD	L ₁ ^{Note 2)}		H
			Min	Max	
ASN2-M5	M5	10	20.5	23.3	8
ASN2-U10/32	10-32UNF	10	20.5	23.3	8
ASN2-01	1/8	15	29.1	34.1	12(12.7)
ASN2-02	1/4	20	33.7	38.7	17(17.5)
ASN2-03	3/8	25	35.9	40.9	19
ASN2-04	1/2	30	48.1	53.1	24(23.8)

Note 1) (in parentheses) are the dimensions of "NPT" screw specification.

Note 2) L₁: Reference dimensions