

## Metric - KS KSH08-02S

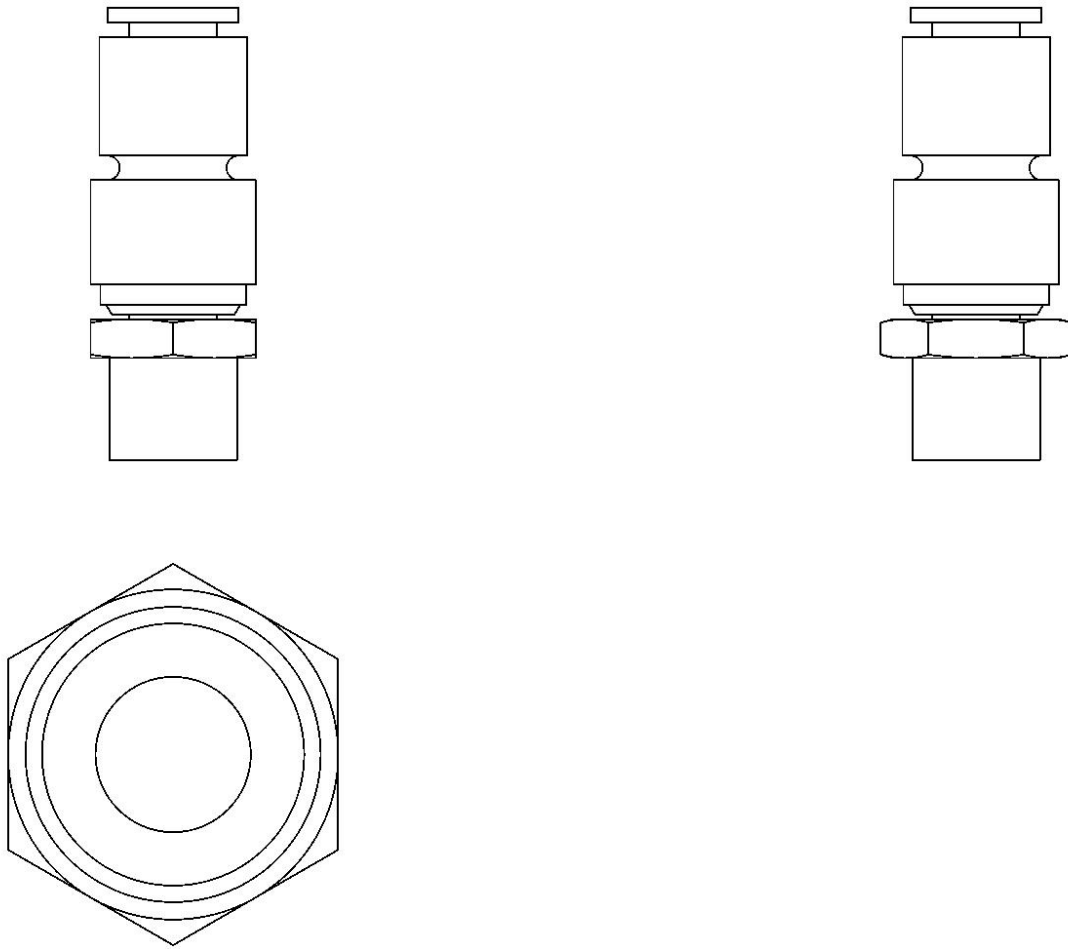
### Datasheet

- Rotary, One-touch fitting (standard)
- Metric threads
- Tube OD: Ø4, Ø6, Ø8, Ø10, Ø12
- Maximum operating pressure: 1.0 MPa
- Ambient & fluid temperature: -5 to 60°C

### Standard specifications

Model	H (Male Connector)
Applicable Tube OD	Ø8 mm
Port Size	02 (R[PT] 1/4)
Sealant	S [Sealant]
-	Air
Weight	0.029 Kg

## Dimensions



## Additional information

Catalogue

[KS\\_KX\\_EU.pdf](#)