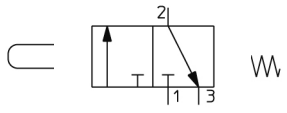


VM100, 100 Series 2/3 Port Mechanical Valve

VM130-F01-00A

Datasheet

We have upgraded our long life 2/3 port mechanical valve, VM 100/200 Series that has been redesigned with simplicity in mind. Brighter in appearance, the VM100/200 can withstand harsh operating conditions, demonstrating an ongoing commitment to refine our products. The series' lightweight and compact design, delivers both cost and space savings. It has four mounting variations, two piping options and several types of actuators that can be easily interchanged and/or replaced. Visual control has been simplified thanks to colourful push button and twist selector options; plus a small, visual indicator on the VM100 bottom ported model also makes maintenance checks easier to perform. Suitable for a wide range of applications, including vacuum, the VM 100/200 is ideal for pneumatic control panels and confirming the position of a workpiece using a pneumatic signal.



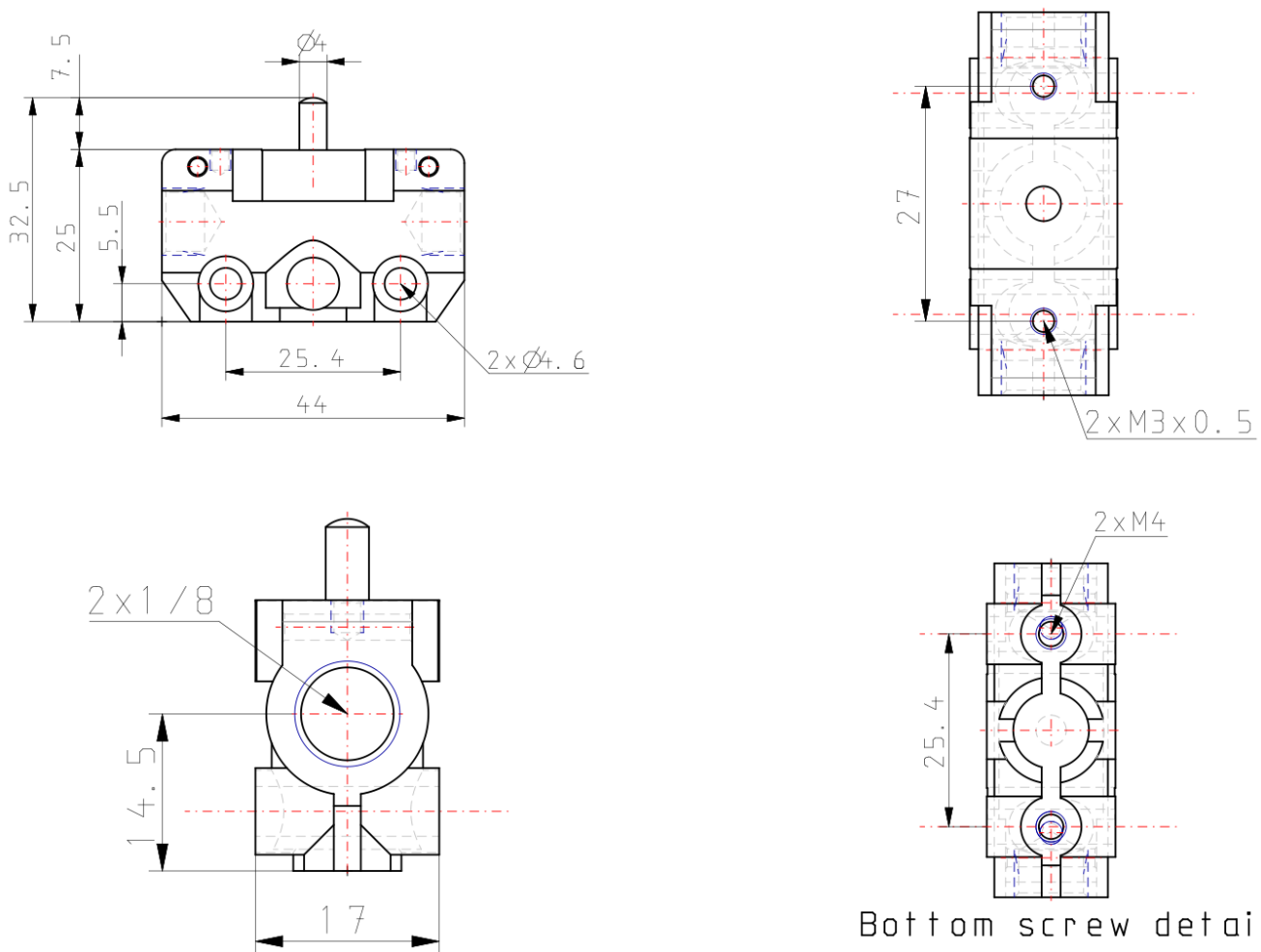
Return with mechanical control spring

Standard specifications

Number of Ports	3 Port
Piping Direct., Plunger Length	0 (Side Ported Long)
Body Option	Side Mounting
Port Size	F01 (G 1/8) Side Ported Only
Actuator type	00 (Basic)
Suffix	None
Indicator	None
Bracket	None
Pressure medium	Air/Inert gas
Maximum temperature of pressure medium	60 °C
Minimum temperature of pressure medium	-5 °C (No freezing)
Maximum operating pressure	1.0 MPa
Minimum operating pressure	-100 kPa
Maximum ambient temperature	60 °C
Minimum ambient temperature	-5 °C (No freezing)
Conform to the European RoHS Directive	Conform

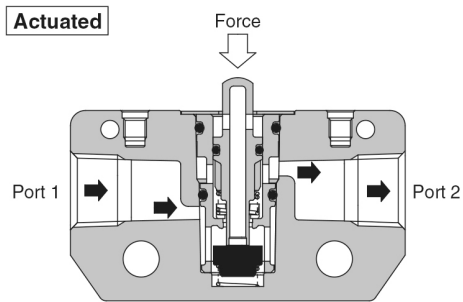
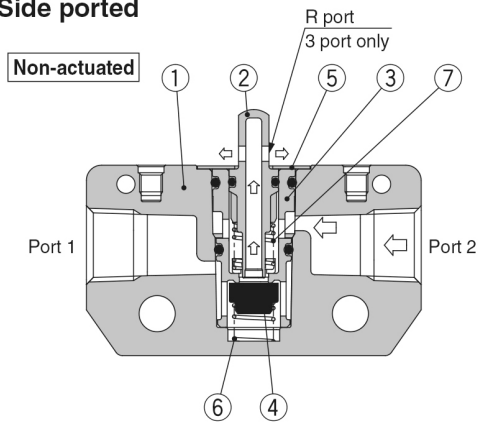
Pneumatic input connection	G 1/8
Pneumatic exhaust connection	G 1/8
Function in normal position	Exhausted
Type of piloting	Directly
Valve return	Mechanical spring
Flow rate	144 l/min
Critical pressure ratio	0.2
Sonic conductance dm ³ /(s·bar)	0.6
Actuation type	Mechanically
Weight	0.060 Kg

Dimensions

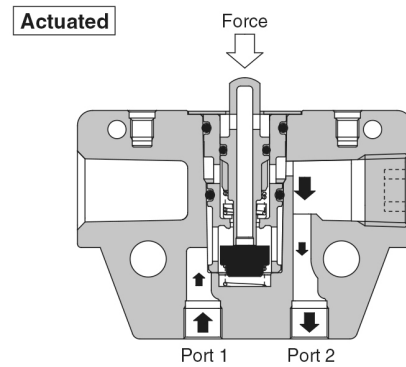
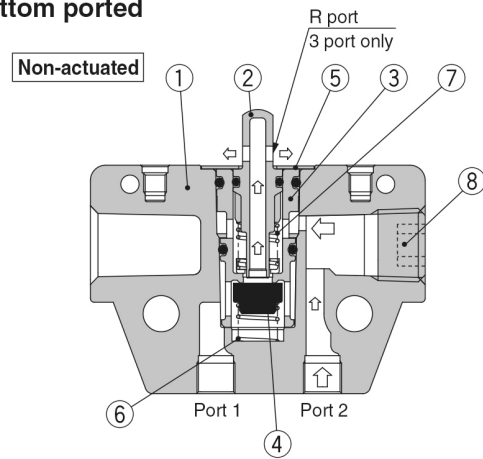


Constructions

Side ported



Bottom ported



Component Parts

No.	Description	Material	Note
1	Valve	ZDC	White coated
2	Plunger	Polyacetal	2 port Grey
			3 port White
3	Valve sheet	PBT	
4	Valve	NBR	

No.	Description	Material	Note
5	Plunger retainer	Stainless steel	
6	Spring	Stainless steel	
7	Spring	Spring steel	
8	Hexagon socket head taper plug	Rolled steel	

Additional information

Catalogue

[VM100-200-A_EU.pdf](#)