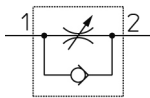


AS*2F-A, Speed Controller, One-touch Fitting, In-line, Push Lock AS3002F-08A

Datasheet

- Large push-lock type handle to ease adjustment and locking.
- 4 mounting options: Direct, holder, L-bracket, DIN-rail.
- Index plate to incorporate an identification label.
- Applicable tube material: Nylon, soft nylon, polyurethane.
- Applicable tubing O.D.: Ø 3.2 to Ø 12.

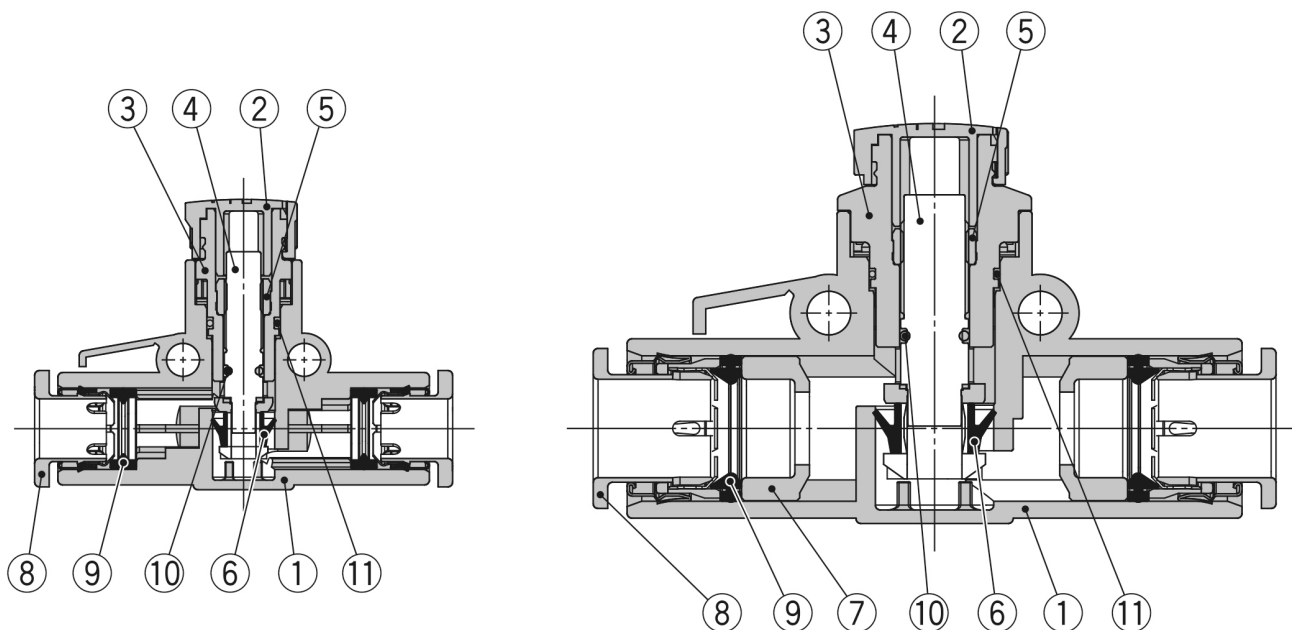


Flow control valve, adjustable, with reverse free flow

Standard specifications

Body Size	300 (3/8 Standard)
Applicable Tube O.D.	08 (ø8)
Pressure medium	Air
Maximum operating pressure	1 MPa
Minimum operating pressure	0.1 MPa
Proof pressure	1.5 MPa
Maximum ambient temperature	60 °C
Minimum ambient temperature	-5 °C
Applicable tubing material	Nylon, Soft nylon, Polyurethane, FEP, PFA
Weight	0.020 Kg

Constructions



Component Parts

No.	Description	Material	Note
1	Body A	PBT	
2	Knob	POM	
3	Body B	PBT	
4	Needle	PBT	
5	Needle guide	Brass	Electroless nickel plating
6	U-seal	HNBR	
7	Spacer	PBT* ¹	
8	Cassette	—	
9	Seal	NBR	
10	O-ring	NBR	
11	O-ring	NBR	

*1 The AS3002F-11A, AS4002F-11A, AS4002F-13A are made of electroless nickel plated brass.

Additional information

Catalogue

[AS-B_in-line_EU.pdf](#)