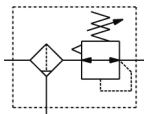


AW10-40-A, AW Filter/Regulator Combination AW20-F02-A-X64

Datasheet

General series information

- Modular type filter regulator
- Integrated filter and regulator save space
- Requires less piping
- Optional embedded pressure gauge
- Available with built-in backflow mechanism
- Rc, G(PF) or NPT threads



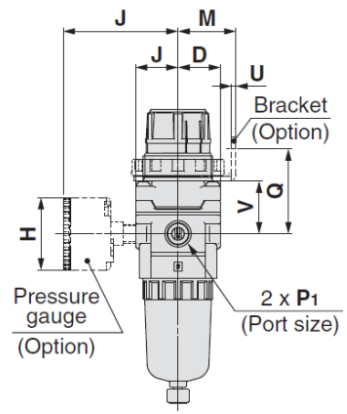
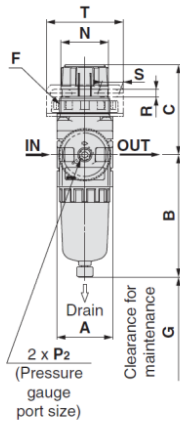
Filter / Regulator Combination

Standard specifications

Accessory	None
Drain port/Exhaust mechanism/Flow direction	None
Set pressure	0.05 to 0.7 MPa setting
Size	20
Port Size	02 (1/4)
Pressure Unit	Name Plate and Pressure Gauge: MPa
Bowl	Polycarbonate Bowl
Thread	F (G)
Made to Order	X64 (Long Bowl)
Pressure medium	Air
Maximum temperature of pressure medium	60 °C
Minimum temperature of pressure medium	-5 °C [with no freezing]
Maximum operating pressure	1.0 MPa
Proof pressure	1.5 MPa
Maximum ambient temperature	60 °C
Minimum ambient temperature	-5 °C [with no freezing]
Approvals	No need

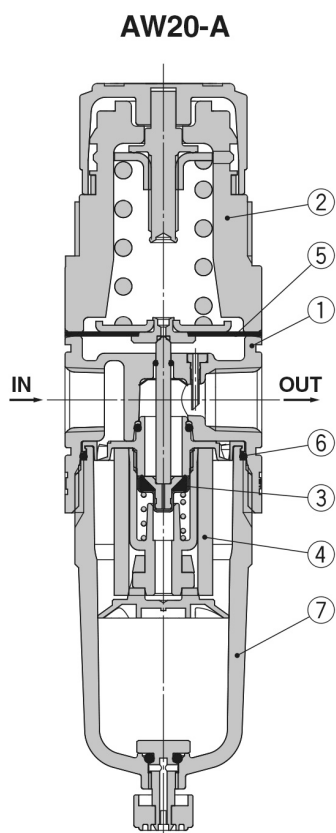
Bowl Material	Polycarbonate
Bowl Guard	Semi-standard (Steel)
Drain Capacity	8 cm ³
Element nominal filtration rating	5 μm
Weight	0.330 Kg

Dimensions



Constructions

Construction



Component Parts

No.	Description	Material	Model	Colour
1	Body	Zinc die-cast	AW10-A	White
		Aluminum die-cast	AW20-A to AW40-06-A	
2	Bonnet	Polyacetal	AW10-A to AW40-06-A	White

Replacement Parts

No.	Description	Material	Part no.
			AW20-A
3	Valve assembly	Stainless steel, HNBR	AW22P-060AS
4	Filter element	Non-woven fabric	AF20P-060S
5	Diaphragm assembly	Weatherable NBR	AR22P-150AS
6	Bowl seal	NBR	C2SFP-260S
7	Bowl assembly ^{Note 2)}	Polycarbonate	C2SF-A

Note 1) The AW10-A is a piston type. Assembly of a piston and a seal (KSYP-13).

Note 2) Bowl seal is included for the AW20-A to AW40-06-A. Please contact SMC regarding the supply of bowl assembly with psi and °F unit display specifications.

Additional information

Catalogue	AC-A-D_EU.pdf
Installation manuals	IM_AW_SMV11EN.pdf
Operation manuals	OM_AW-A_OMQ0007EN-A.pdf