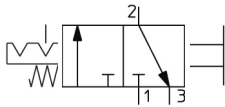


## Single Action - VHS VHS30-F03A

### Datasheet

### General series information

- Modular connection type for connecting to FRL units
- Flow rate up to 8270 l/min
- Energy saving: zero air bleeding while switching the handle
- Safety measure: prevention of accidents caused by inadvertent air supply problems (OSHA standard compliant)
- With built-in silencer for EXH port as an option.

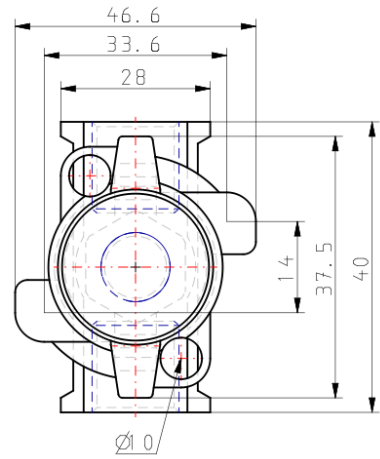
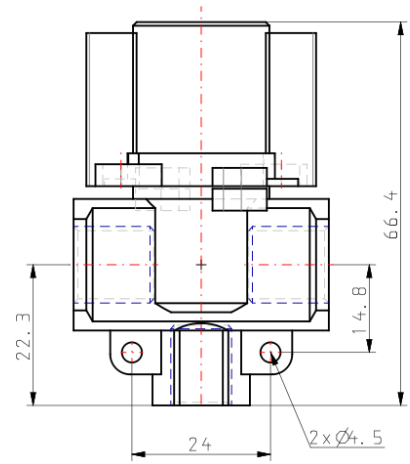
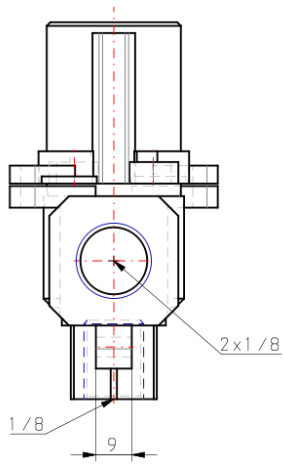


*Directional control valve 3/2-way valve, closed normal position With mechanical control spring, with mechanical component detent control Return with general manual control*

### Standard specifications

Body Size	30
Thread	F (G)
Port Size	03 (3/8)
Handle/Bonnet Material	A (Flame Resistant PBT)
Options	None
Semi-standard	None
Made to Order	None
Pressure medium	Air
Maximum operating pressure	1.0 MPa
Minimum operating pressure	0.01 MPa
Proof pressure	1.5 MPa
Maximum ambient temperature	60 °C
Minimum ambient temperature	-5 °C (No freezing)
Approvals	No need
Paint colour	Handle: Red Body: White
Handle switching angle	90°
Weight	0.127 Kg

# Dimensions



## Additional information

Catalogue	<a href="#">VHS-A_EU.pdf</a>
Declaration of conformity	<a href="#">newDoc_VHS-A_TF1V403EN-A.pdf</a>
Operation manuals	<a href="#">OM_VHS_Q0023EN-B.pdf</a>