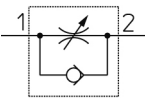


AS*2F, Speed Controller, One-touch Fitting, In-line, Compact

AS1002F-04

Datasheet

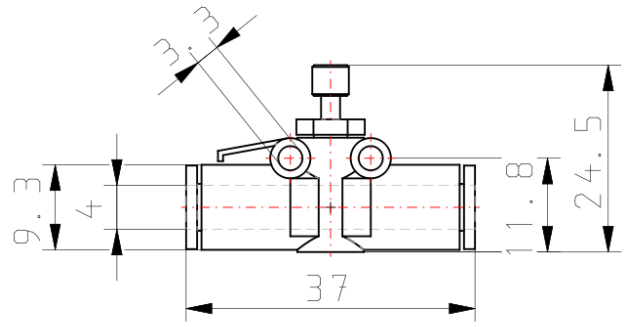
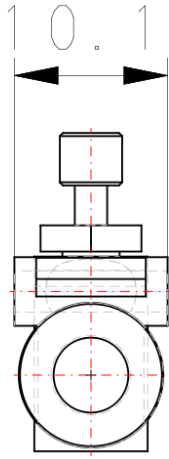
- In-line, Compact.
- Applicable tubing O.D.: Ø 3.2 to Ø 12.
- Maximum operating pressure: 1 MPa.
- Applicable tube material: Nylon, Soft nylon, Polyurethane.
- Body size: M3, M5, 1/8, 1/4, 3/8 and 1/2



Flow control valve, adjustable, with reverse free flow

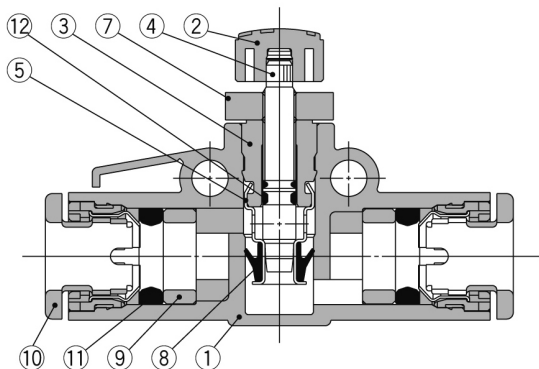
Standard specifications

Body Size	100 (M3, M5 Standard)
Applicable Tube O.D.	04 (ø4)
Option	None
Lock Nut	Standard (Hexagon)
Pressure medium	Compressed air
Maximum temperature of pressure medium	60 °C
Minimum temperature of pressure medium	-5 °C [without condensation]
Maximum operating pressure	0.7 MPa
Minimum operating pressure	0.1 MPa
Proof pressure	1.05 MPa
Maximum ambient temperature	60 °C
Minimum ambient temperature	-5 °C
Conform to the European RoHS Directive	Conform
Number of pneumatic connections	2 pcs.
Pneumatic input connection	Ø 4 mm
Pneumatic output connection	Ø 4 mm
Function of Flow control valve	Throttle valve
Usable tubing material	Soft Nylon;Nylon;Polyurethane
Weight	0.005 Kg



Constructions

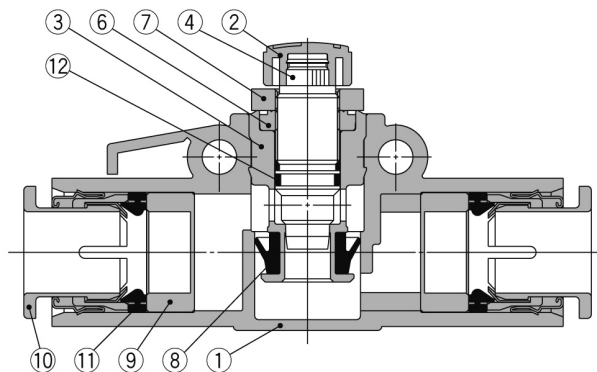
AS1002F, AS2002F, AS2052F



Component Parts

No.	Description	Material	Note
1	Body A	PBT	
2	Handle	PBT	
3	Body B	Brass	Electroless nickel plated
4	Needle	Brass	Electroless nickel plated
5	Seat ring	Brass	Electroless nickel plated
6	Needle guide	Brass	Electroless nickel plated

AS1002F-02, AS3002F, AS4002F



No.	Description	Material	Note
7	Lock nut	Steel wire	Zinc chromated
8	U-seal	HNBR	
9	Spacer	POM ^{Note)}	
10	Cassette	—	
11	Seal	NBR	
12	O-ring	NBR	

Note) AS2052F, AS3002F, AS4002F are made of PBT. AS3002F-11, AS4002F-11, AS4002F-13 are made of electroless nickel plated brass.

Additional information

Catalogue

[AS1002F-4002F-A_EU.pdf](#)