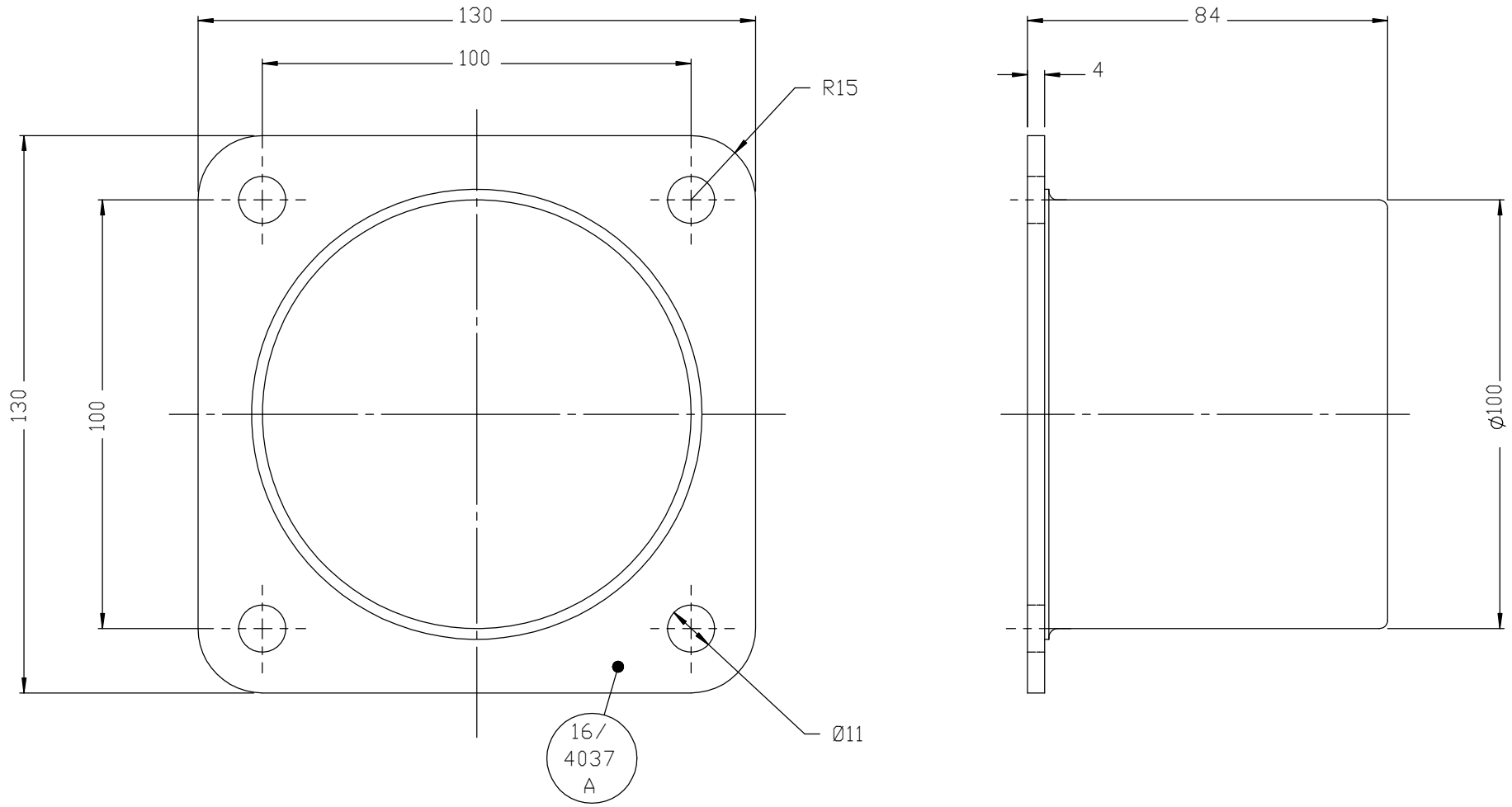


15/4037

DRG. No.

© COPYRIGHT of Trelleborg Automotive UK Ltd., England 2007



THIS DRAWING IS TO BE TREATED AS PRIVATE AND CONFIDENTIAL.

UNLESS OTHERWISE STATED DIMENSIONS WITHOUT TOLERANCE ARE TO BE IN ACCORDANCE WITH ISO 2768-c.
UNLESS OTHERWISE STATED ALL RUBBER TOLERANCES ARE TO BE IN ACCORDANCE WITH ISO 3302-M2, FLASH HEIGHT CLASS 3.

FOR A GUIDE TO DRAWING STANDARDS SEE PD 3081996.
ALL DIMENSIONS AND TOLERANCES APPLY TO PART WITHOUT FINISH.

ISO 2768-c U.S. DIMENSIONS ARE TO BE IN "mm"	
0.5 >	3- ±0.2
3 >	6- ±0.3
6 >	30- ±0.5
30 >	120- ±0.8
120 >	400- ±1.2
400 >	1000- ±2.0
1000 >	2000- ±3.0
2000 >	4000- ±4.0

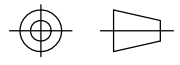
DRAWN	PGG	PROD. APPRD.					
CUST. REF.	ANB 100		DES. APPRD.	CH	02/08/2013		
COMP. CAT. Ref.	C00	DDS69 CAT.	3	SCALE	1:1		
MAT'L SPEC							

A3

DO NOT
SCALE



1 HOODS CLOSE, LEICESTER, LE4 2BN, ENGLAND.



PROJECTION

ISSUE	3
DATE	31/07/2013

FINISH	SEE COMPONENT DRAWINGS
DESCRIPTION	BUFFER -CIRCULAR

SHT. No.	1
No OF SHTS.	1

DRG. No.	15/4037
----------	---------